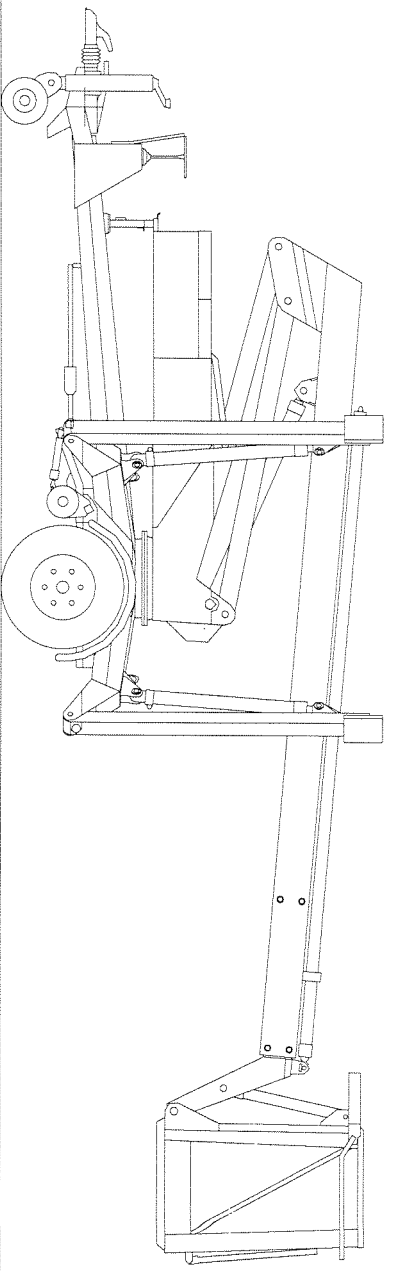


**RESERVEDELS-
KATALOG**

**SPARE PARTS
CATALOGUE**

**ERSATZTEILS-
KATALOG**

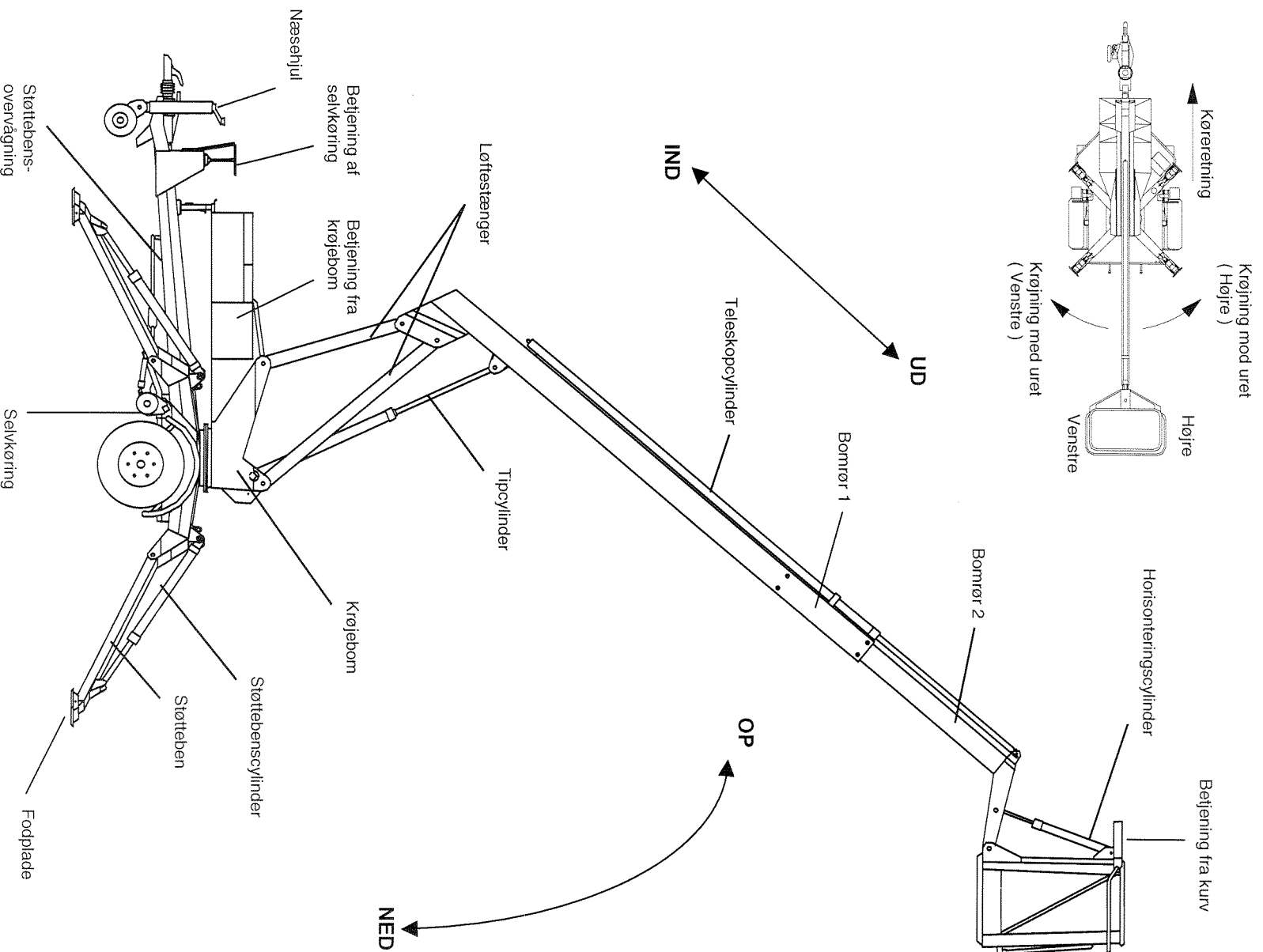


DK12
DK7JR12

Version – 07.2004

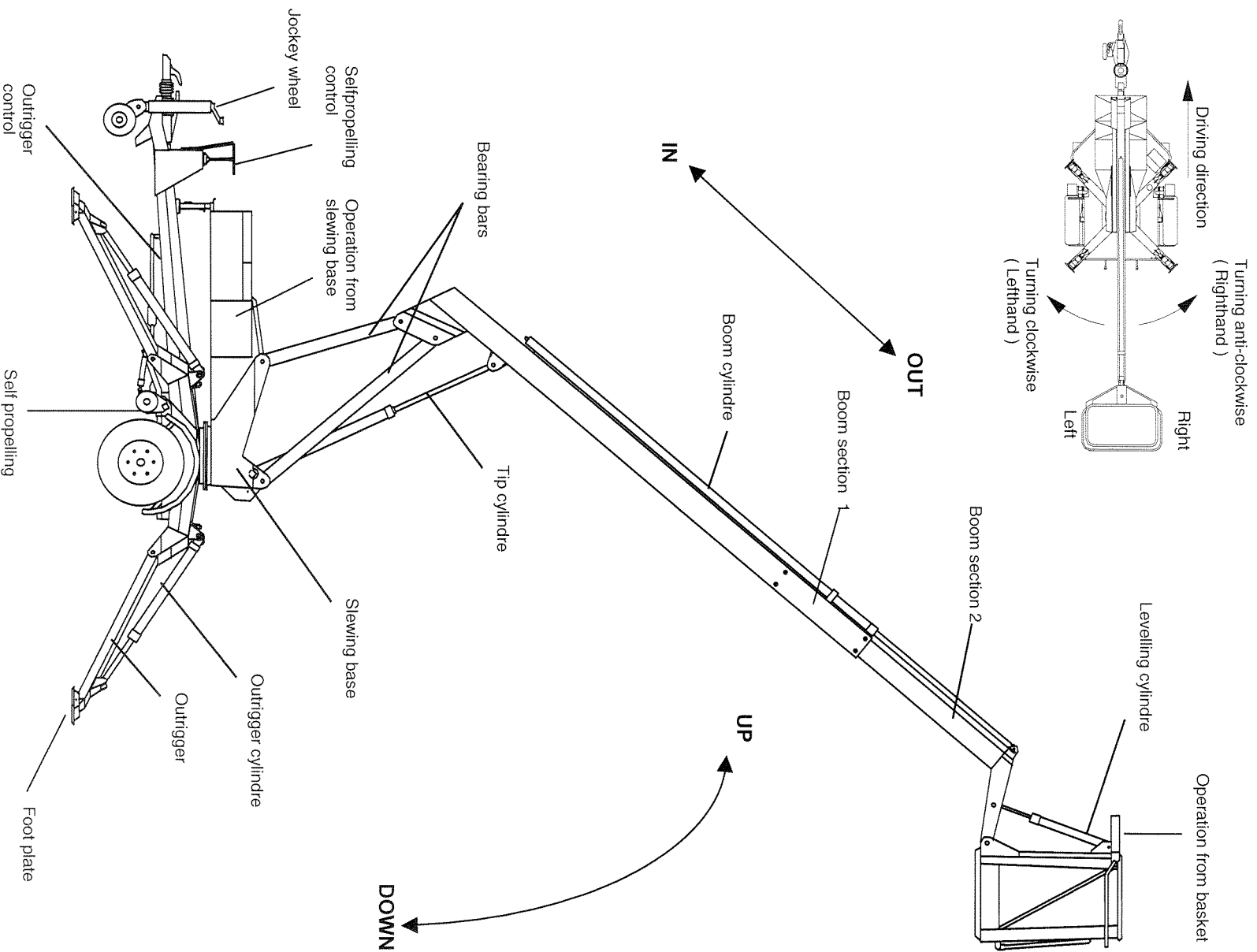
Liftbeskrivelse – DK12

På denne side forklares en del funktioner og begreber, der anvendes i reservedelskataloget. Hvis der ønskes yderligere oplysninger, kontakt os da venligst.



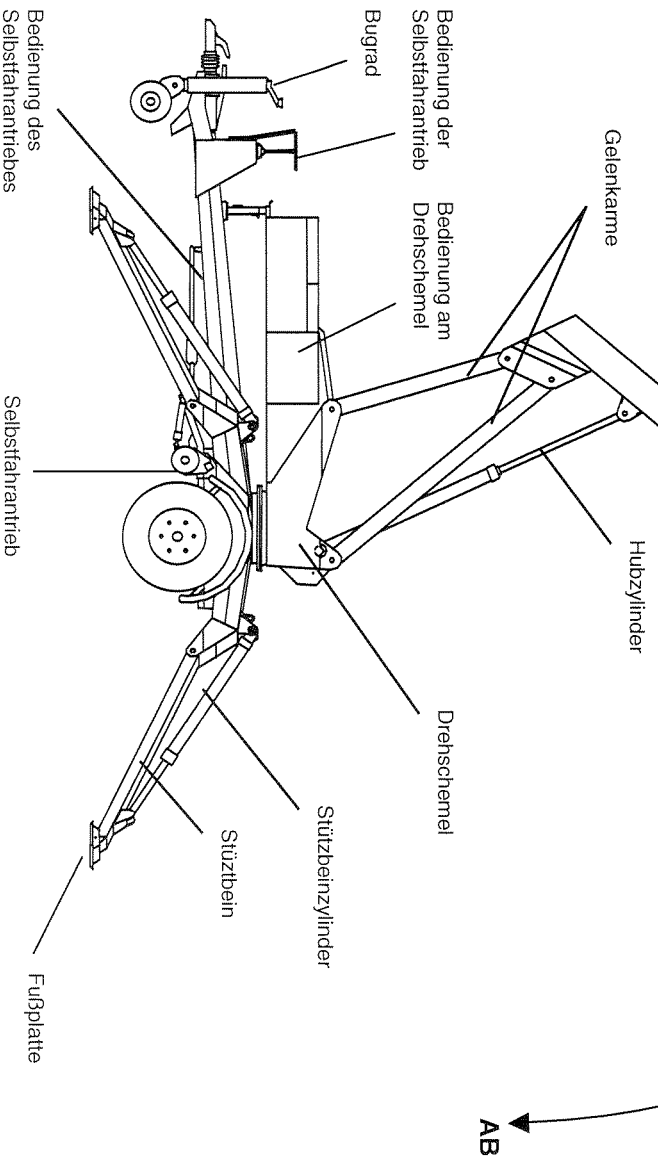
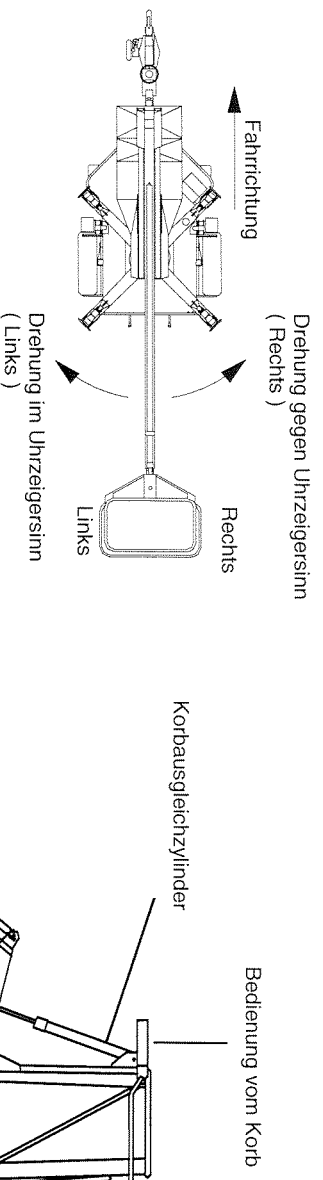
Description of the lift – DK12

At this page some functions and constructions mentioned in the spare part catalogue are explained. If you need further information, please contact us.



Beschreibung des Liftes – DK12

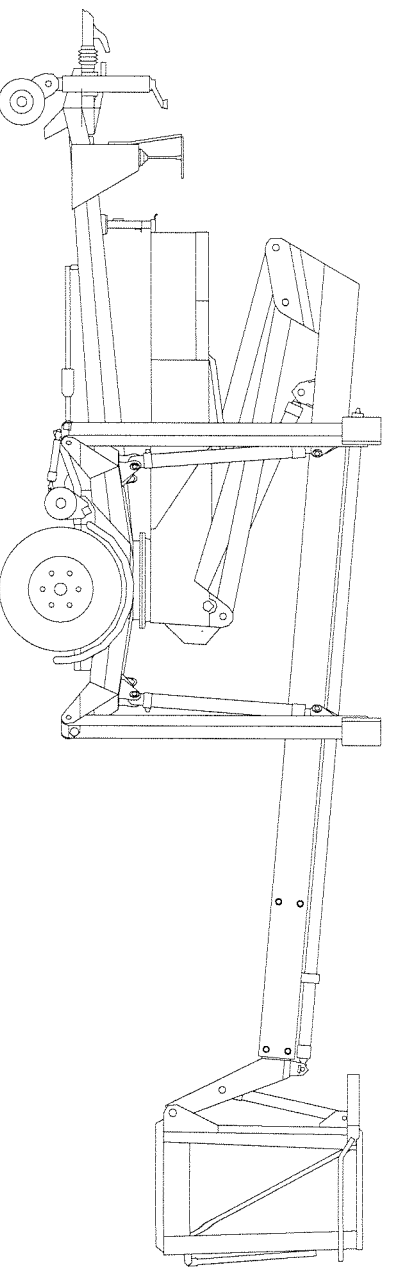
An dieser Stelle werden einige der Funktionen und Begriffe erklärt, die in den Ersatzteilkatalog benutzt werden. Falls Sie weitere Technische Daten brauchen, bitten wir Ihnen uns zu kontaktieren.



**RESERVEDELS-
KATALOG**

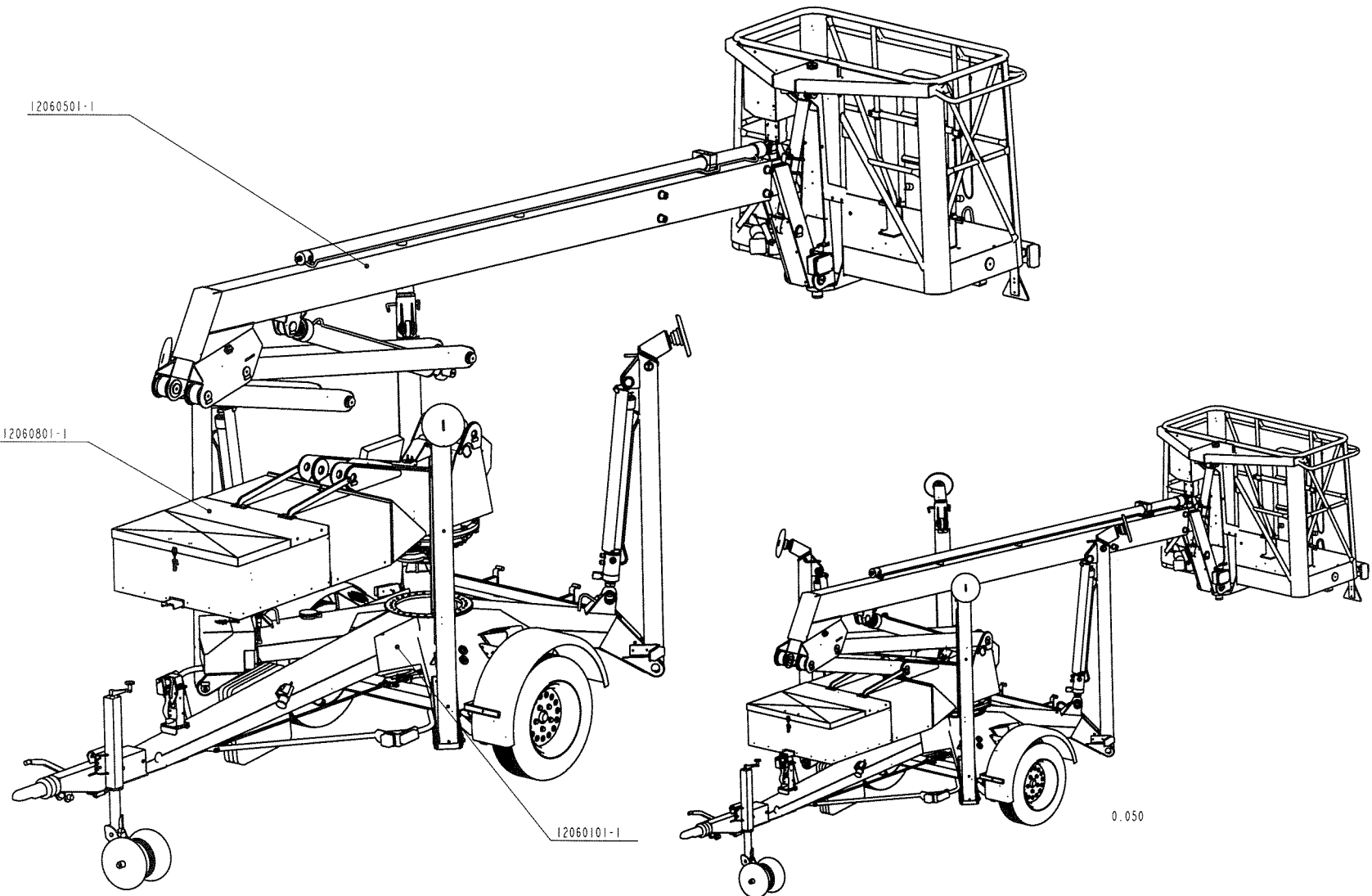
**SPARE PARTS
CATALOGUE**

**ERSATZTEILS-
KATALOG**



CHASSIS

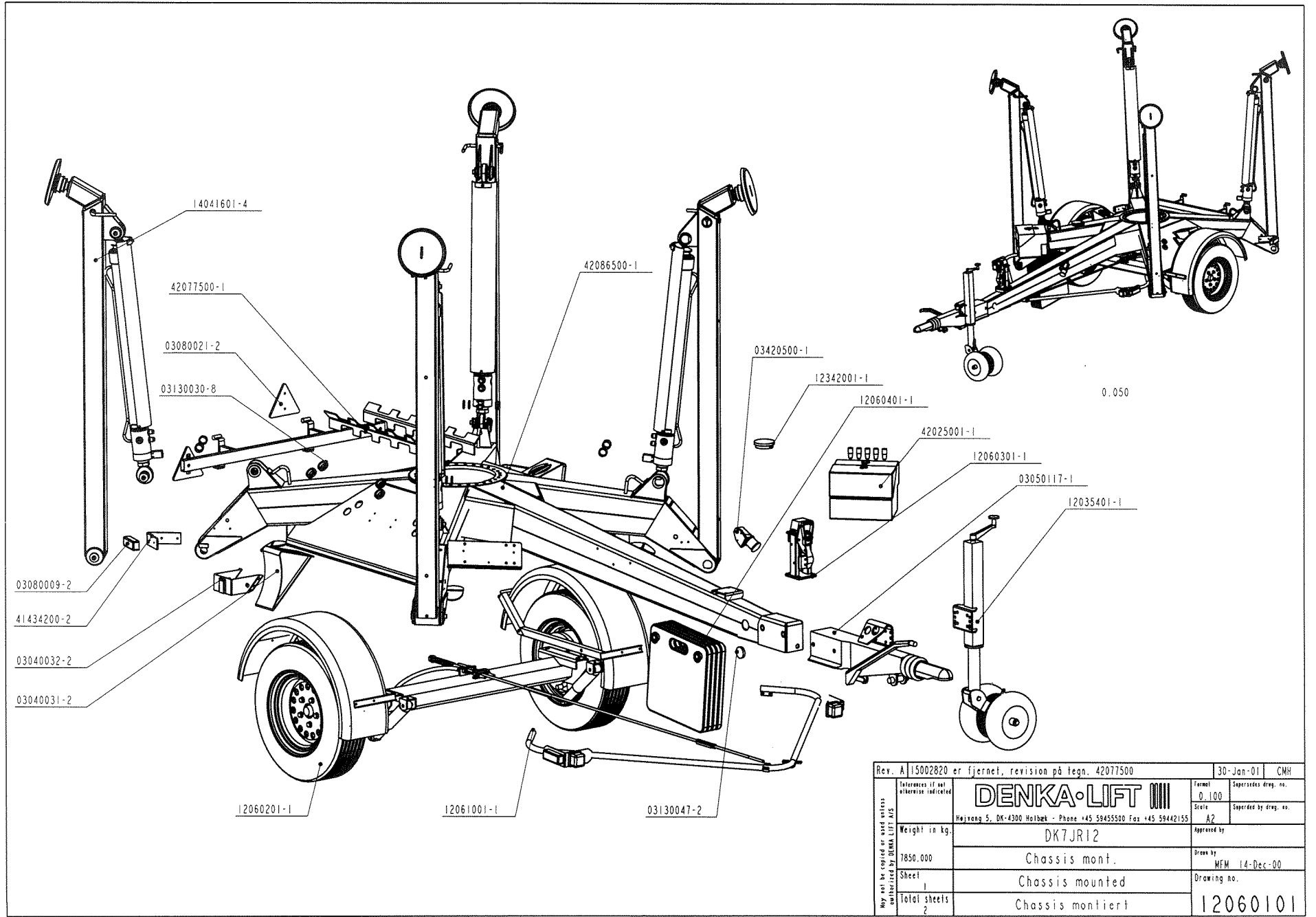
Version – 07.2004



May not be copied or used without authorization by DENKA LIFT A/S	Tolerances if not otherwise indicated		Formel	Supersedes drawing no.
			0.075	
			Scale	Supersedes by drawing no.
			A2	
			Approved by	
Weight in kg.	DK7JR12		Drawn by	
7850.000	Samlet		MFM 02-Jan-01	
Sheet	Mounted		Drawing no.	
1				
Total sheets	Monteret		12060001	
2				

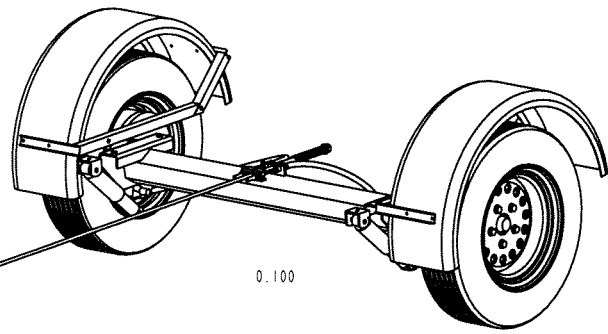
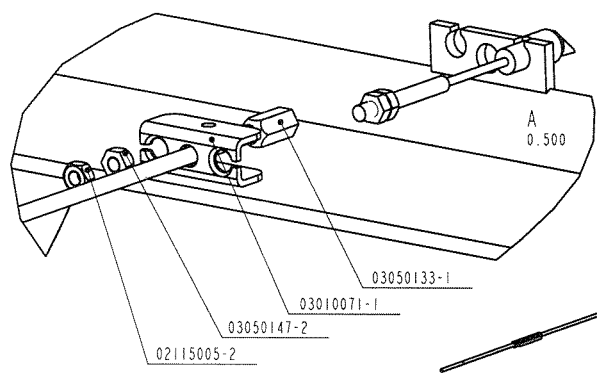
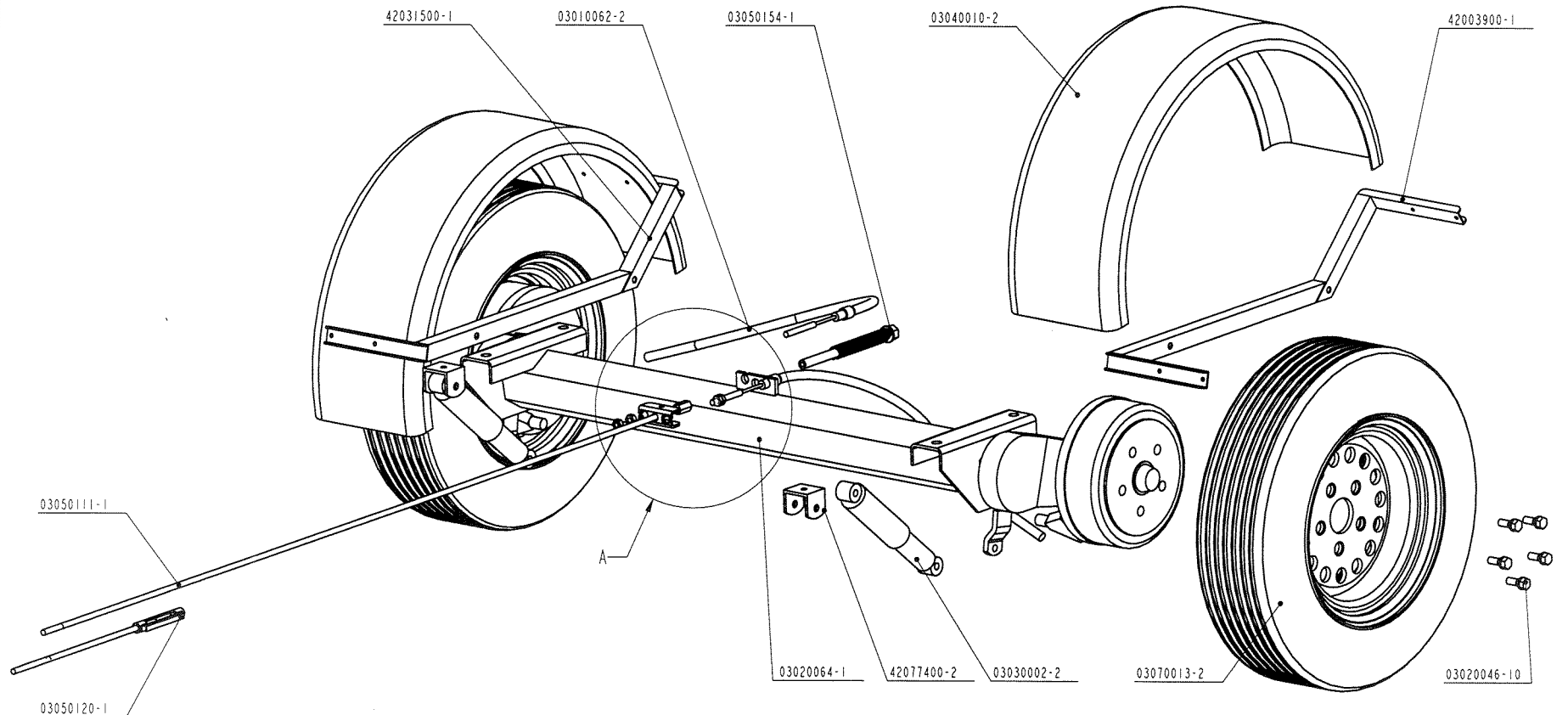
DENKA-LIFT

Højvang 5, DK-4300 Holbæk - Phone +45 59455500 Fax +45 59442155



0,050

Rev. A 15002820 er fjernet, revision på tegn. 42077500		30-Jan-01	CMH
Tolerances if not otherwise indicated		DENKA-LIFT <small>Højvang 5, DK-4300 Holbæk - Phone +45 59455500 Fax +45 59442155</small>	
Weight in kg.		1850,000	DK7JR12
Sheet		1	Chassis mont.
Total sheets		2	Chassis mounted
May not be copied or used without authorization by DENKA LIFT A/S		Scale A2 Approved by MEM 14-Dec-00 Drawing no. 12060101	Formet 0,100 Scale A2 Supercedes drag. no. Supercedes by drag. no.



Rev. A 03050147 er ændret fra 03050132		17-Apr-01	CWH
Tolerances if not otherwise indicated	DENKA-LIFT	Format	Supersedes drawing no.
	Højvang 5, DK-4300 Holbæk - Phone +45 59455500 Fax +45 59442155	Scale	Superseded by drawing no.
Weight in kg.	DK7JR12	Approved by	
7850.000	Kørekomp.	Drawn by	MEM 13-Dec-00
Sheet 1	Driving components	Drawing no.	
Total sheets 2	Fahren komponenten		12060201

03040008-1

10105300-1

10716100-8

10105200-2

10106000-1

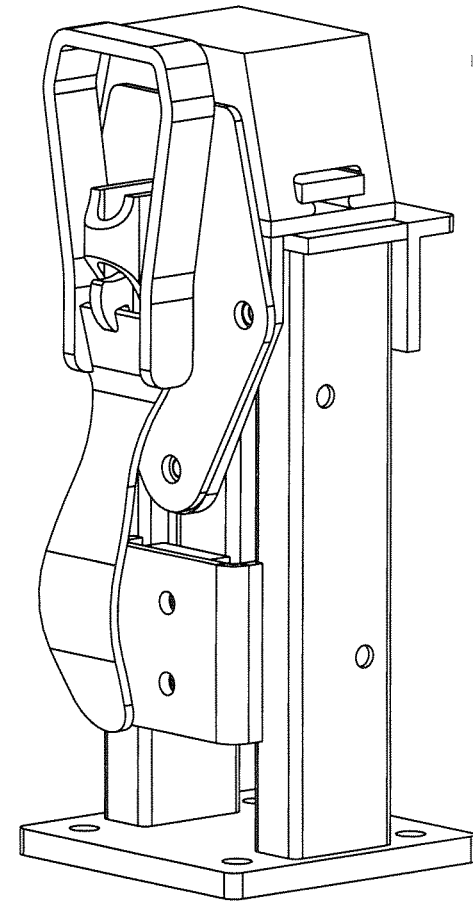
42092000-2


40105500-1

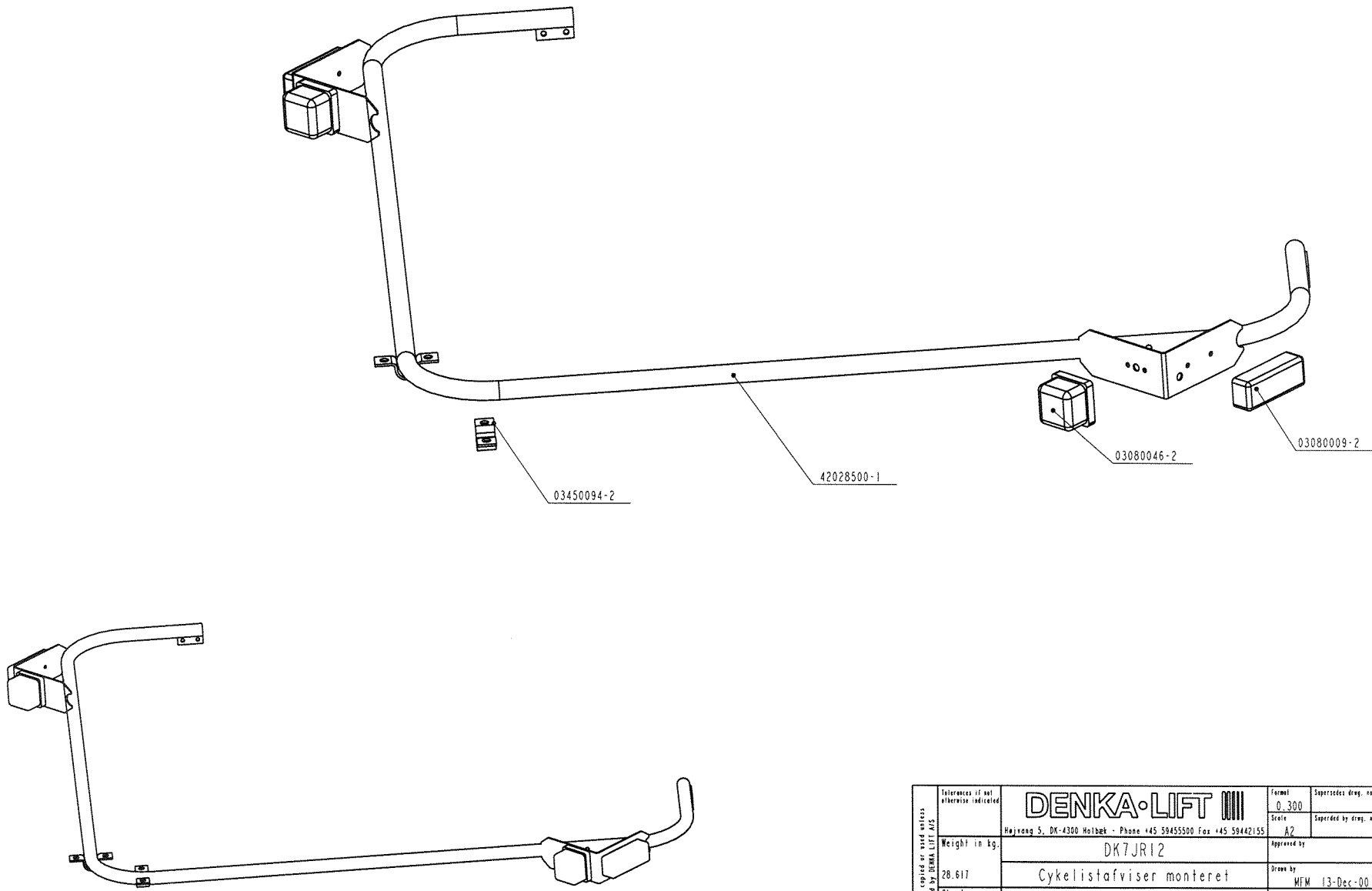
42012000-1

10105400-1


1.000

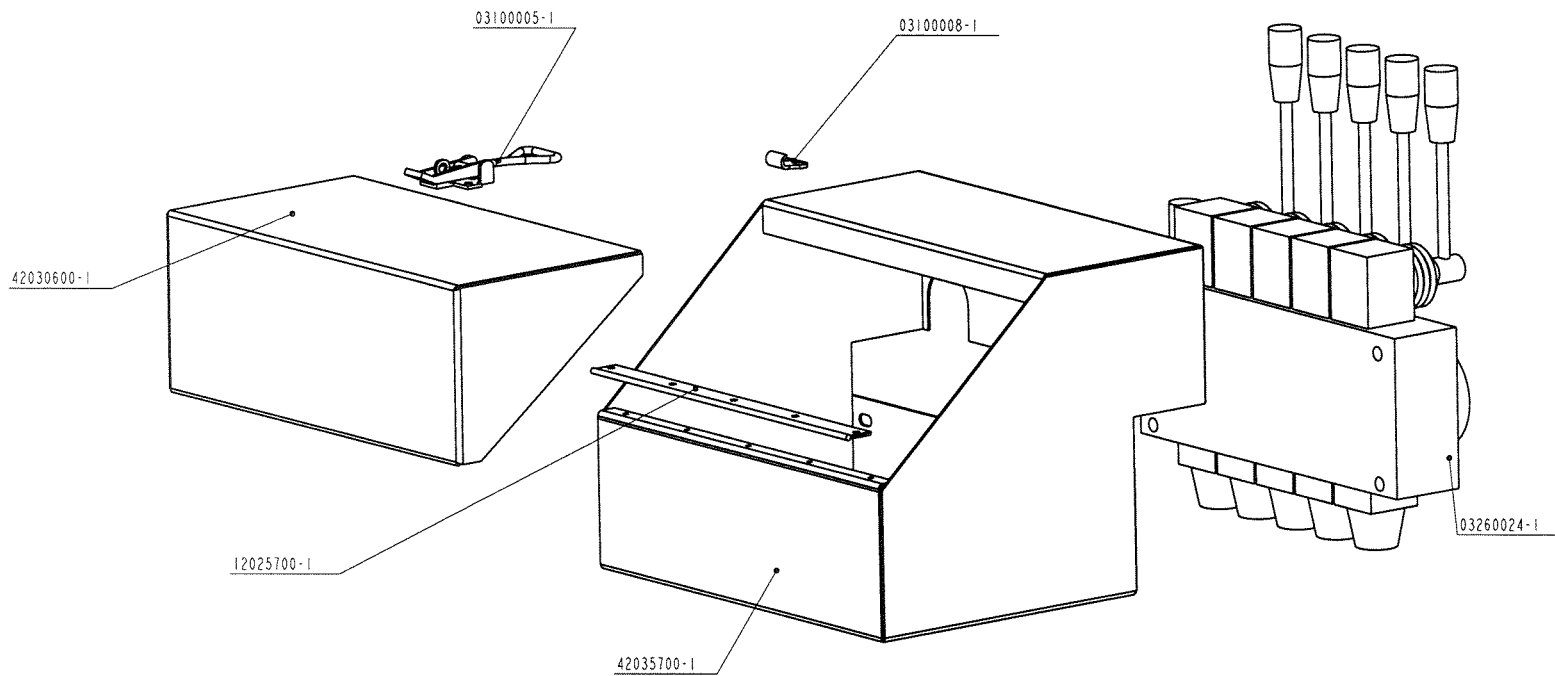



My not be copied or used unless authorized by DENKA LIFT A/S	Tolerances if not otherwise indicated	DENKA-LIFT 	Formel	Supersedes drawing no.
		Hejvang 5, DK-4300 Holbæk - Phone +45 59455500 Fax +45 59442155	0.600	
			Scale	Supersedes by drawing no.
	Weight in kg	DK7	A2	Approved by
	7850.000	Krøjelås monteret		Drawn by
Sheet	Slewing lock mounted		DB 13-Dec-00	
Total sheets	Schwingschloß montiert		Drawing no.	
2			12060301	

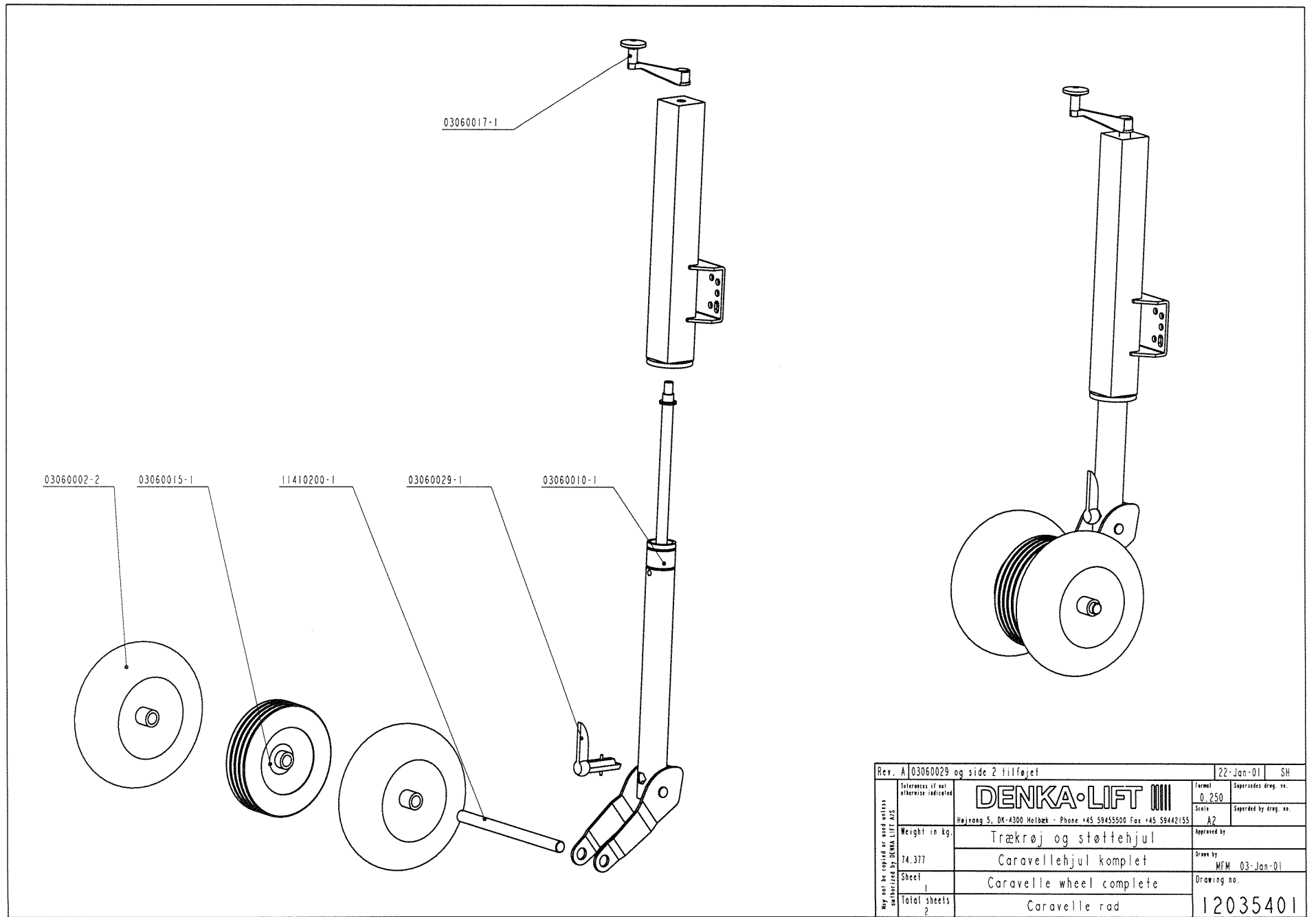


0.200

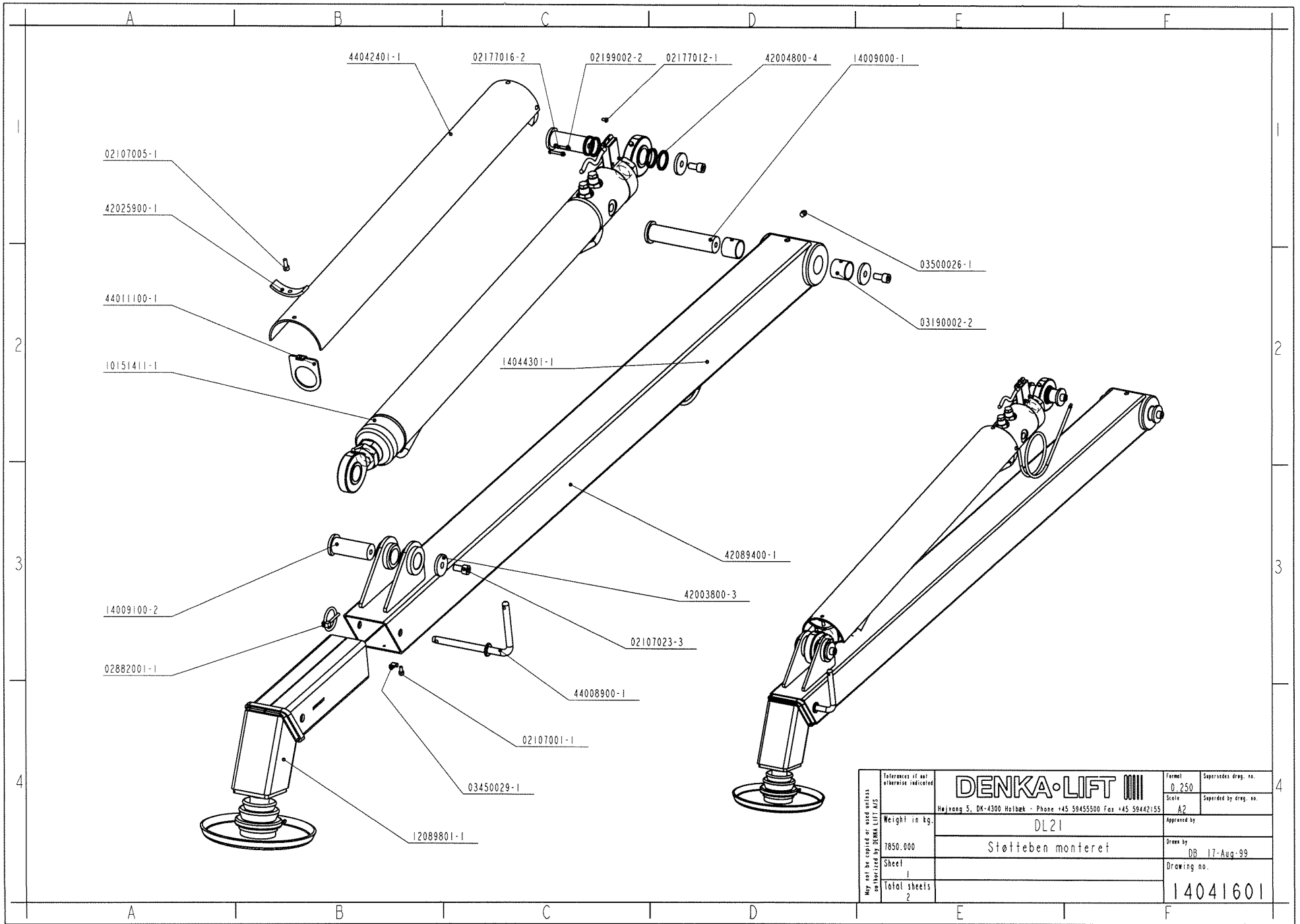
May not be copied or used without authorization by DENKA LIFT A/S	Tolerances if not otherwise indicated	DENKA-LIFT 	Format	Supersedes drawing no.
			0.300	
		Højvang S, DK-4300 Holbæk - Phone +45 59455500 Fax +45 59442155	Scale	Superseded by drawing no.
	Weight in kg.		A2	
	28.617	DK7JR12	Approved by	
Sheet	Cykelistafviser monteret	Drawn by	MEW 13-Dec-00	
1	cyclistbumper	Drawing no.		
Total sheets	1	Radler Stoßstange	12061001	



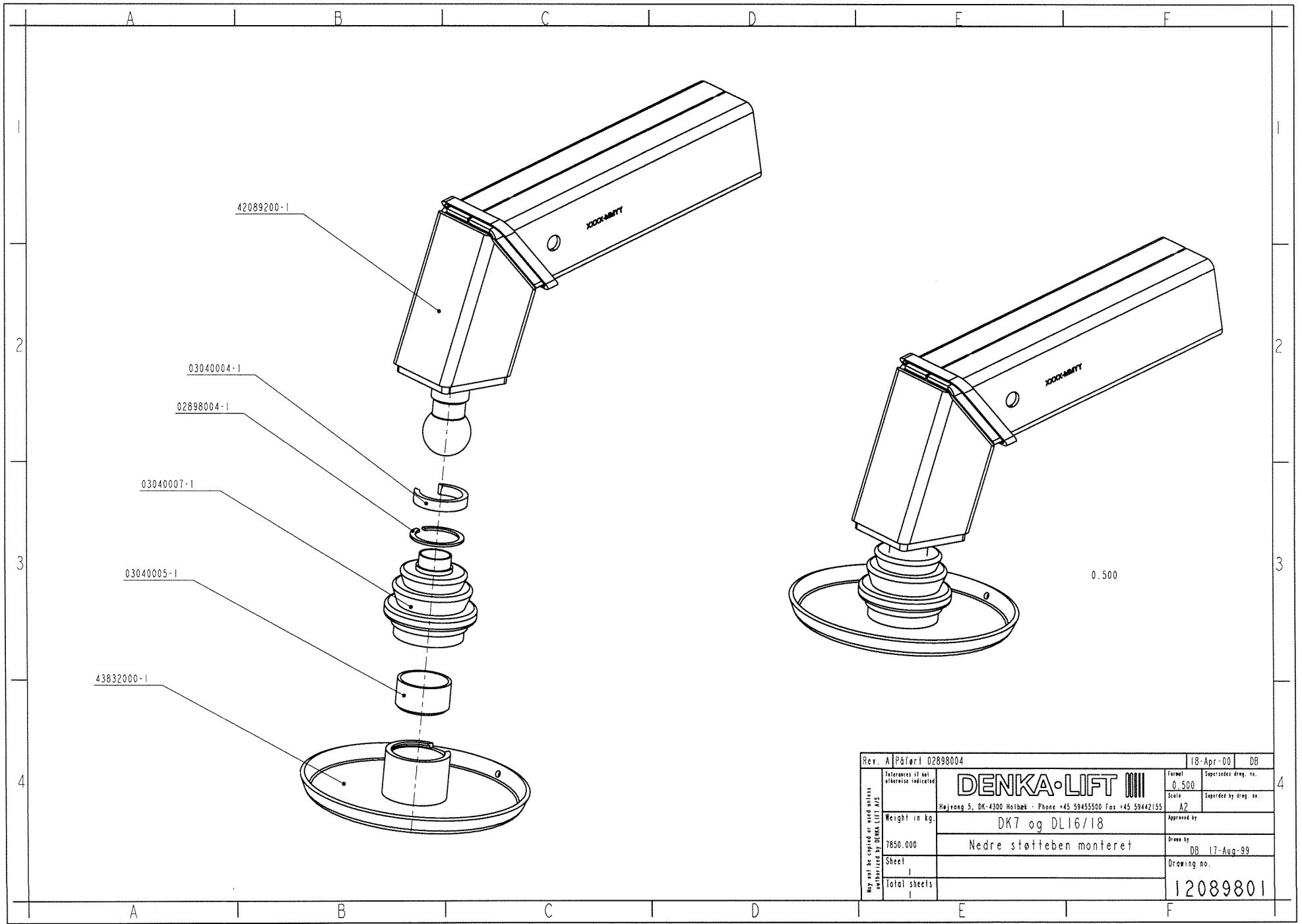
Rev. A Underdele ændret, så Svejs manøvreventil kan bruges		18-Jun-99	MFM	
May not be copied or used without authorization by DENKA LIFT A/S	Tolerances if not otherwise indicated	DENKA-LIFT  Højvang 5, DK-4300 Holbæk - Phone +45 59455500 Fax +45 59442155		
	Weight in kg			0.500
	7850.000	Scale	A2	Superseded by drawing no.
	Sheet	DK7 DK18		Approved by
	Total sheets	Manøvreventil med afdækning		Drawn by
	controllingvalve with covering		MFM 17-Jun-99	
	Steuerpult mit Abdecken		Drawing no.	
			42025001	



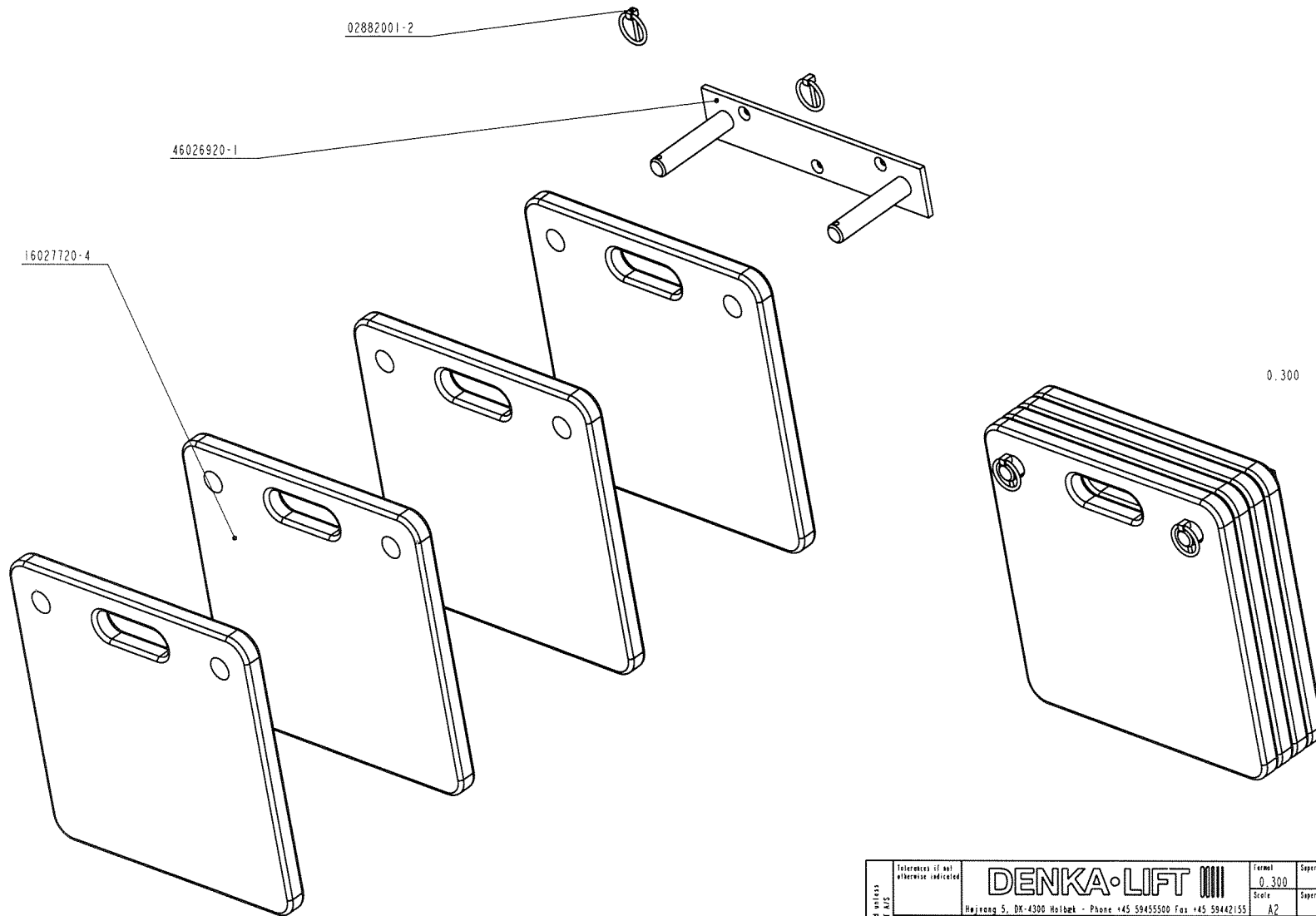
Rev. A 03060029 og side 2 tilføjet		22-Jan-01	SH
May not be copied or used without authorized by DENKA LIFT A/S	Tolerances if not otherwise indicated	DENKA-LIFT	
	Weight in kg.	74.377	Formet 0.250 Scale A2
	Sheet	1	Supersedes drag. no. Superseded by drag. no.
	Total sheets	2	Approved by Drawn by MFM 03-Jan-01 Drawing no.
Trækøjt og støttehjul Caravellehjul komplet Caravelle wheel complete Caravelle rad			12035401




May not be copied or used without authorization by DENKA LIFT A/S	Tolerances if not otherwise indicated	DENKA-LIFT	Formel	Supersedes drawing no.
	Weight in kg.	Højvang 5, DK-4300 Hølbæk - Phone +45 59455500 Fax +45 59442155	0.250	Scale
	7850.000	DL21	A2	Superseded by drawing no.
	Sheet	Støtteben monteret	Approved by	Drawn by
	Total sheets			DB 17-Aug-99
			Drawing no.	
				14041601



Rev. A Påførl 02898004		18-Apr-00	DB
Tolerances if not otherwise indicated	DENKA-LIFT		Format
	Højvang 5, DK-4300 Holbæk - Phone +45 59455500 Fax +45 59442155		0.500
Weight in kg	DK7 og DL16/18		Scale
7850.000	Nedre støtteben monteret		A2
Sheet			Approved by
Total sheets			Drawn by
			DB 17-Aug-99
			Drawing no.
			12089801




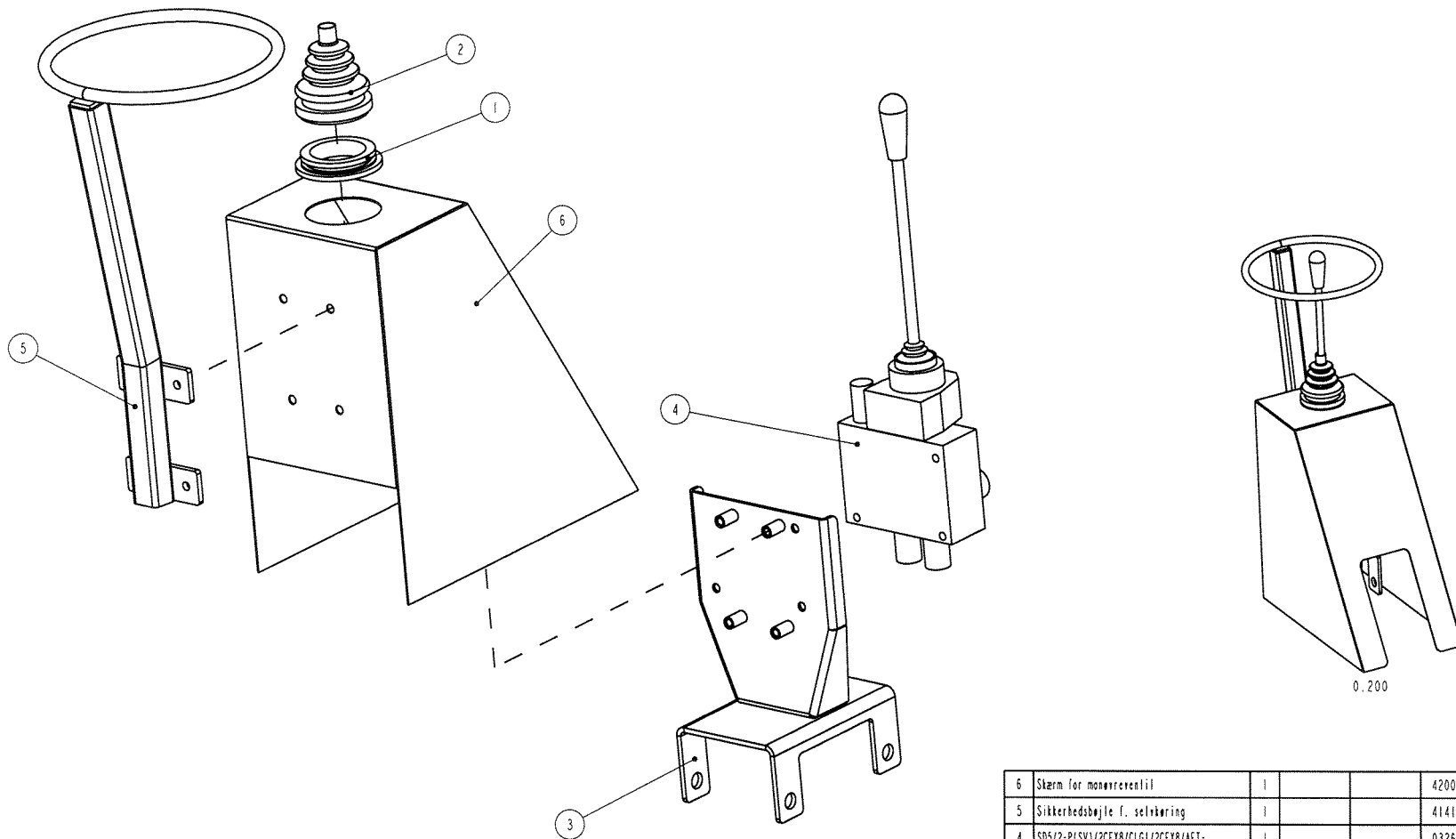
May not be copied or used without authorization by DENKA LIFT A/S	Tolerances if not otherwise indicated	DENKA-LIFT  Højvang 5, DK-4300 Holbæk - Phone +45 59455500 Fax +45 59442155	Formal	Supersedes drawing no.
	Weight in kg.		Scale	Superseded by drawing no.
	7850.000	Komponenter		Approved by
	Sheet	Fodpladearrangement monteret		Drawn by
	Total sheets	Bearing plate set mounted		DB 13-Dec-00
	Bodenplattesatz montiert		Drawing no.	
			12060401	

03040012-1

41411601-1

1.000

May not be copied or used without authorization by DENKA LIFT A/S	Tolerances if not otherwise indicated	DENKA-LIFT 	Format	Supersedes drawing no.	
	Weight in kg.		2.000	Scale	Supersedes by drawing no.
	0.316	Højvang S., DK-4300 Holbæk · Phone +45 59455500 Fax +45 59442155	A2	Approved by	
	Sheet	DK8		Drawn by	HØ 28-Mar-00
Total sheets	1	Libelle samlet		Drawing no.	
		Level mounted		12342001	
		Libelle monteret			

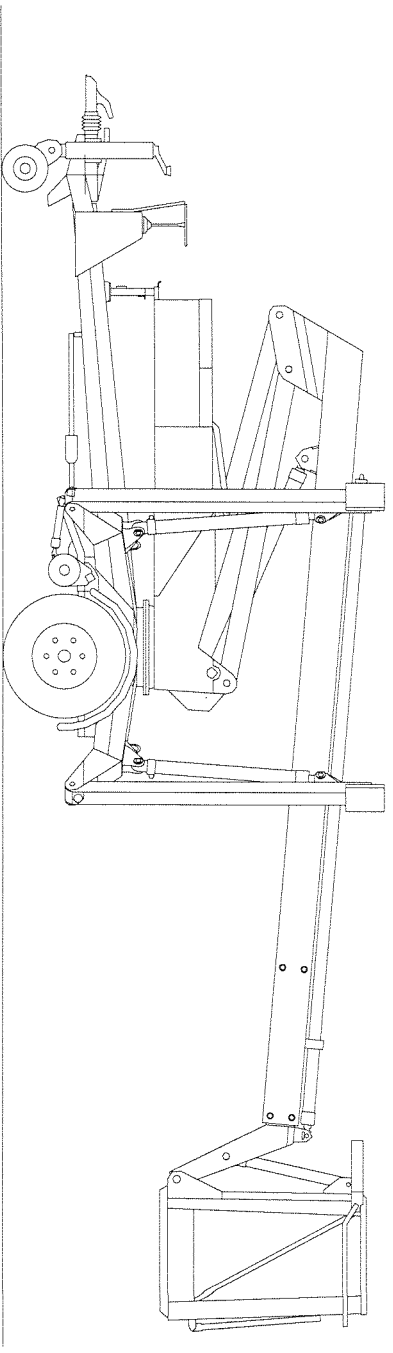


6	Skærm for manøvreventil	1			42008200	1.271
5	Sikkerhedsbjælte f. selvkøring	1			41412000	1.988
4	SD5/2-PLSV1/ZCEX8/CLG1/ZCEX8/AET-	1			03260040	6.509
3	Manipulator konsol	1			42061600	2.515
2	Gummibelg f. manipulator	1			03260012	0.038
1	Bøsning	01501020	1	Pom	11414000	0.031
Item	Subject	No.	Quality	Standard	Id no.	Weight
May not be copied or used without authorization by DENKA LIFT A/S	Tolerances if not otherwise indicated	DENKA-LIFT		Scale	0.350	
	DS 2768-1 m			Formet	A2	
	Weight in kg.	DK18/DK12		Approved by		
	12.417	Manipulator konsol		Drawn by PBM 31-Jul-02 Drawing no. 12092601		

**RESERVEDELS-
KATALOG**

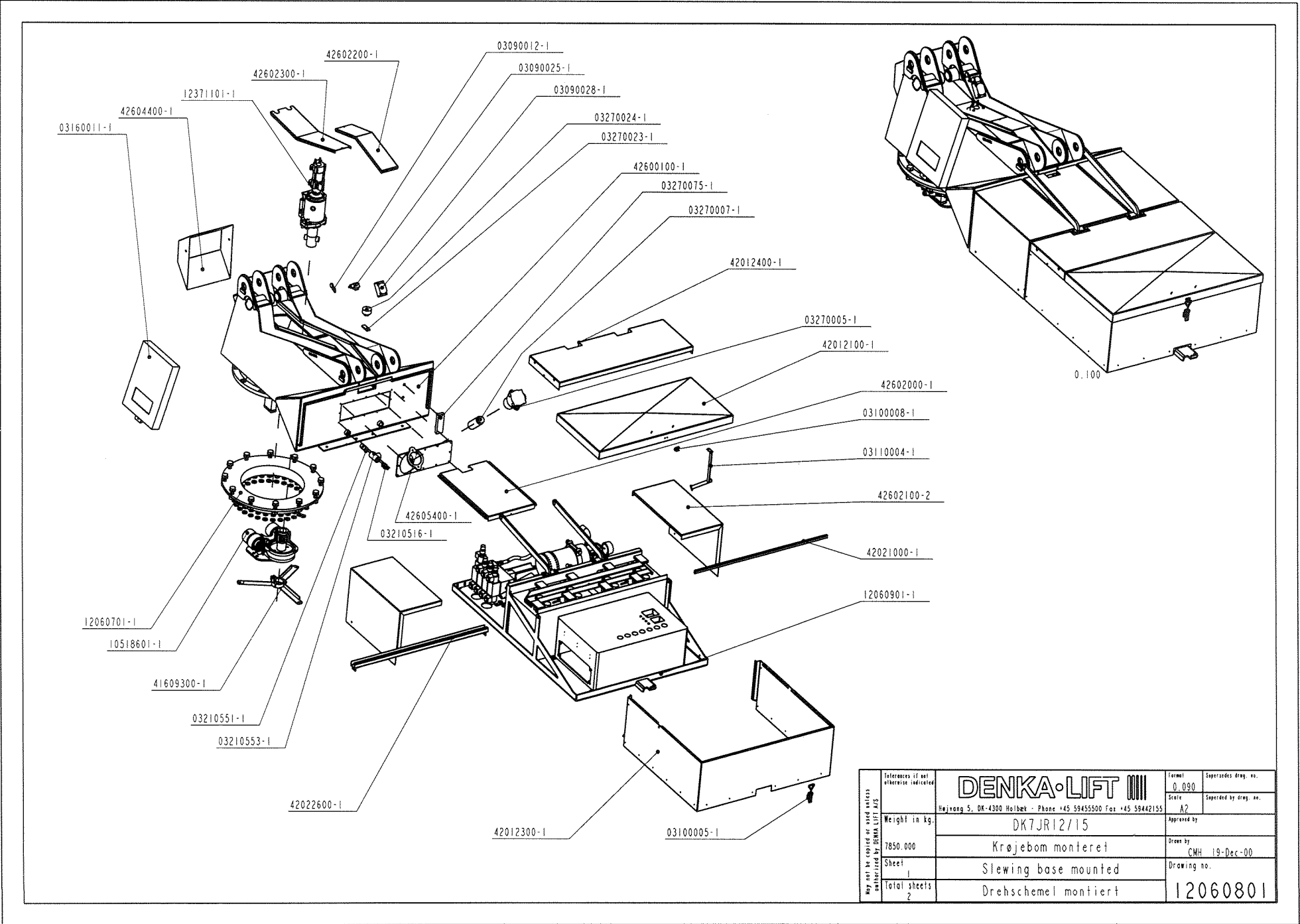
**SPARE PARTS
CATALOGUE**

**ERSATZTEILS-
KATALOG**



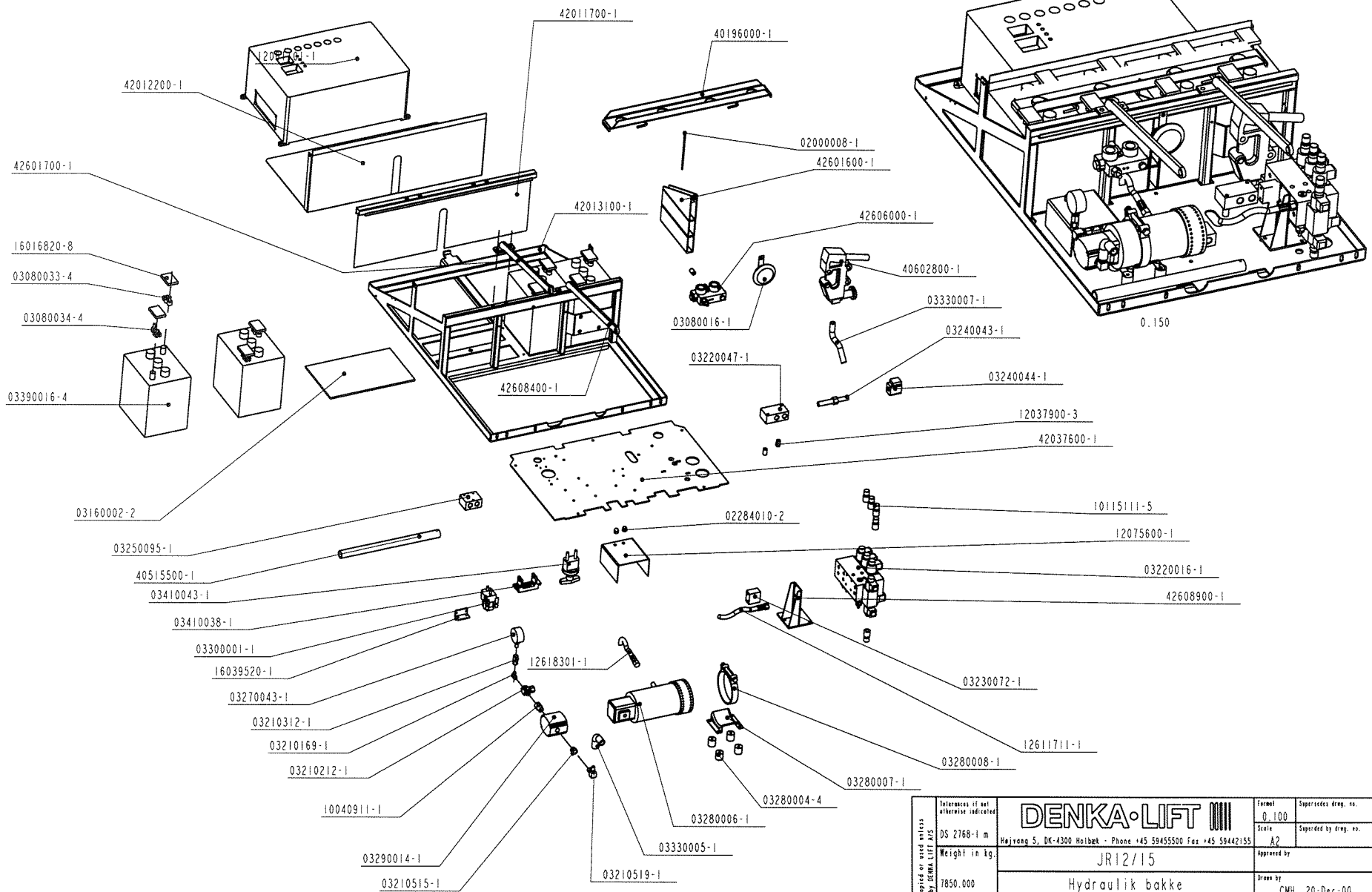
**KRØJEBOM
SLEWING BOOM
DREHSCHEMEL**


Version – 07.2004

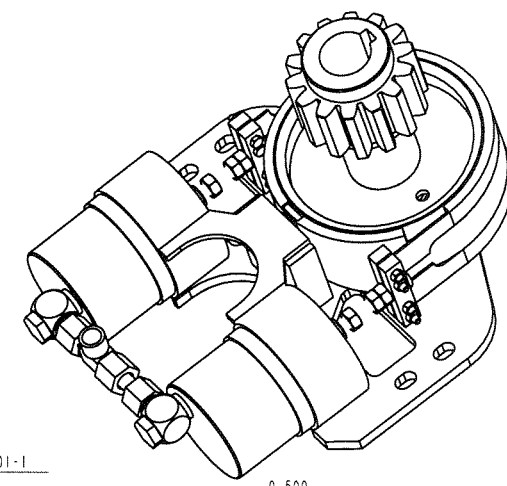


May not be copied or used unless authorized by DENKA LIFT A/S	Interferences if not otherwise indicated	DENKA-LIFT	Format 0.090	Superceded drag. no.
	Weight in kg. 7850.000	Højvang 5, DK-4300 Holbæk - Phone +45 59455500 Fax +45 59442155	Scale A2	Superceded by drag. no.
	Sheet 1	DK7JR12/15	Approved by	Drawn by CMH 19-Dec-00
	Total sheets 2	Krøjbom monteret Slewing base mounted	Drawing no.	
		Drehschemel montiert		

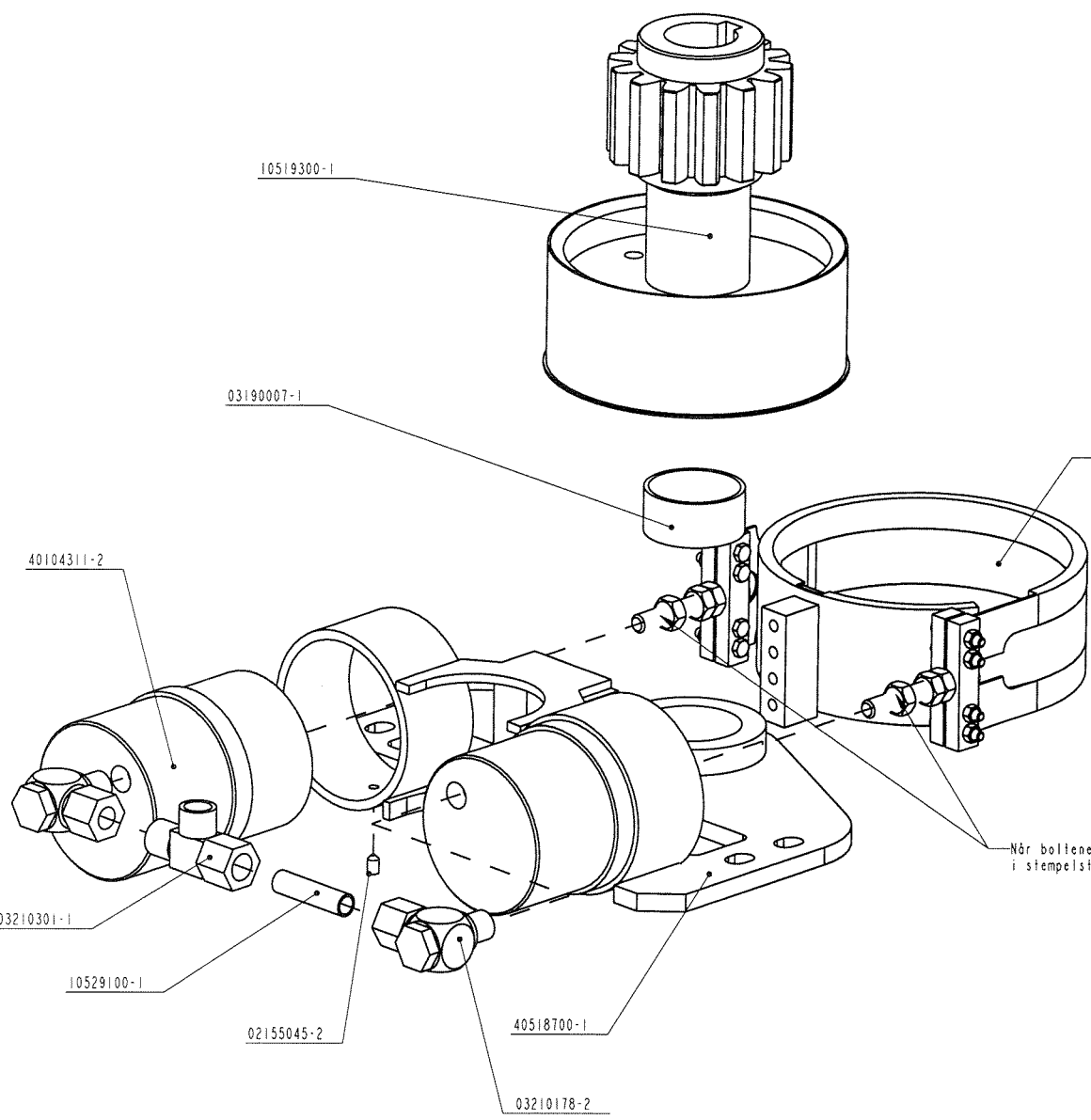
12060801




May not be copied or used without authorization by DENKA LIFT A/S	Tolerances if not otherwise indicated	DENKA-LIFT  Hvirvang 5, DK-4300 Holbæk - Phone +45 59455500 Fax +45 59442155	Form	Supersedes denq. no.
	DS 2768-1 m		Scale	Superseded by denq. no.
	Weight in kg	JR12/15	Approved by	
	7850.000	Hydraulik bakke	Drawn by	
	Sheet	Hydraulic jaw	CMH 20-Dec-00	
Total sheets	Hydraulische Backe	Drawing no.		
3		12060901		

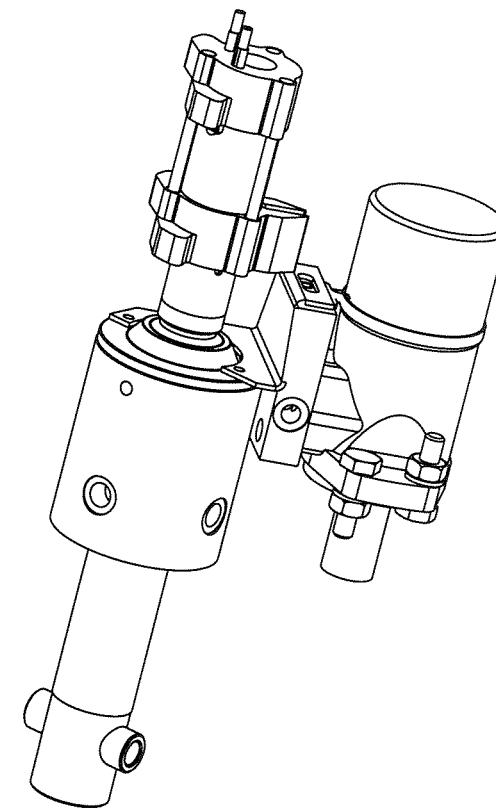


0.500

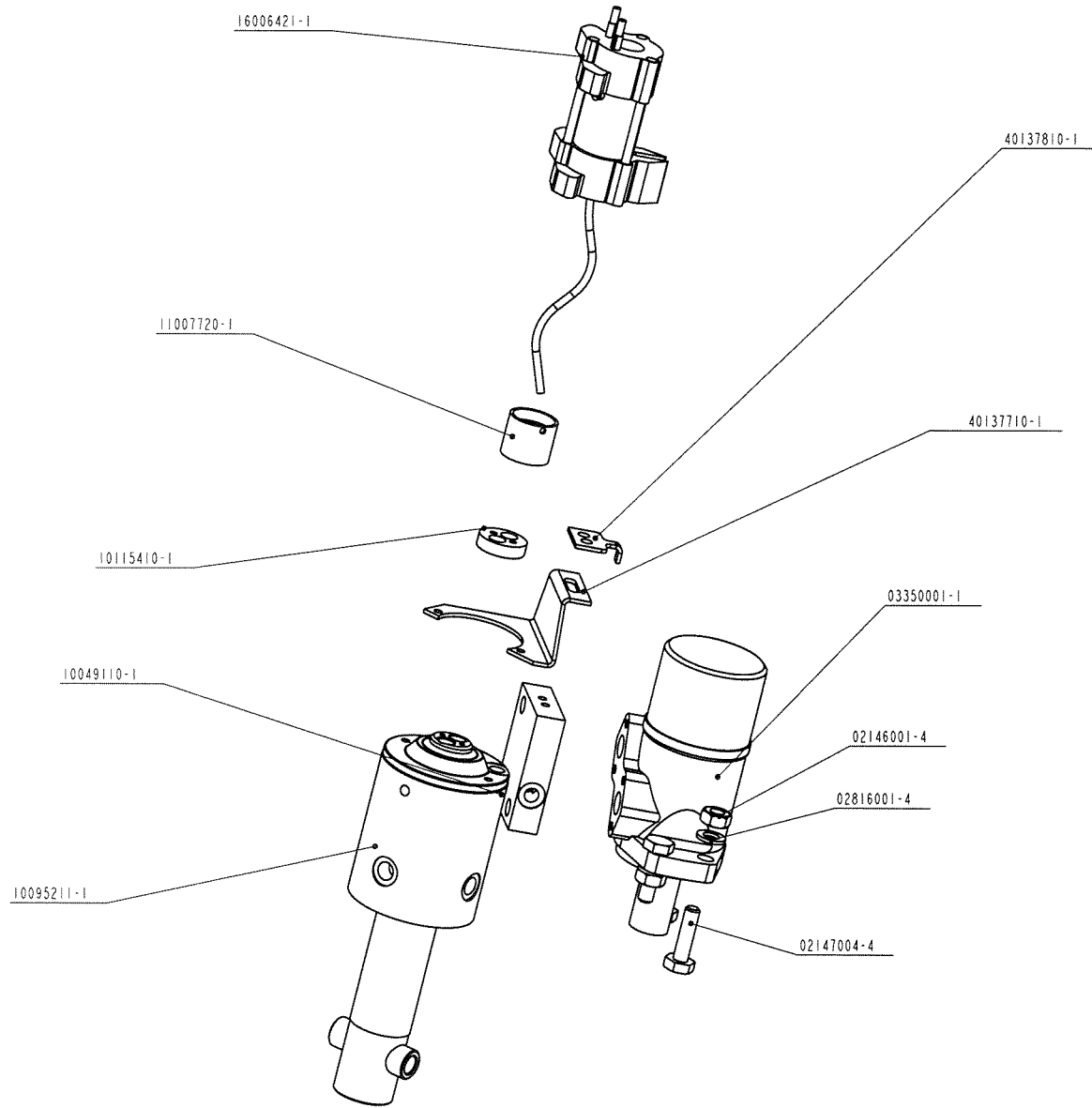


Når boltene på bremsebåndet spændes i bremsecylindere, skal riller i stempelstænger trækkes 2-3 mm fri af bremsecylindere.

Rev. F	Re-design i Pro-E	09-Mar-00	SH
Tolerances if not otherwise indicated		Format	Supersedes drawing no.
DENKA-LIFT  Højvang S, DK-4300 Holbæk - Phone +45 59455500 Fax +45 59442155		0.750	
		Scale	Supersedes by drawing no.
Weight in kg	13.035	Approved by	
		MK 3	
Sheet	1	Drawn by	SH 08-Mar-00
		Drawing no.	
Total sheets	2		10518601



0.500



16006421-1

40137810-1

11007120-1

40137710-1

10115410-1

03350001-1

10049110-1

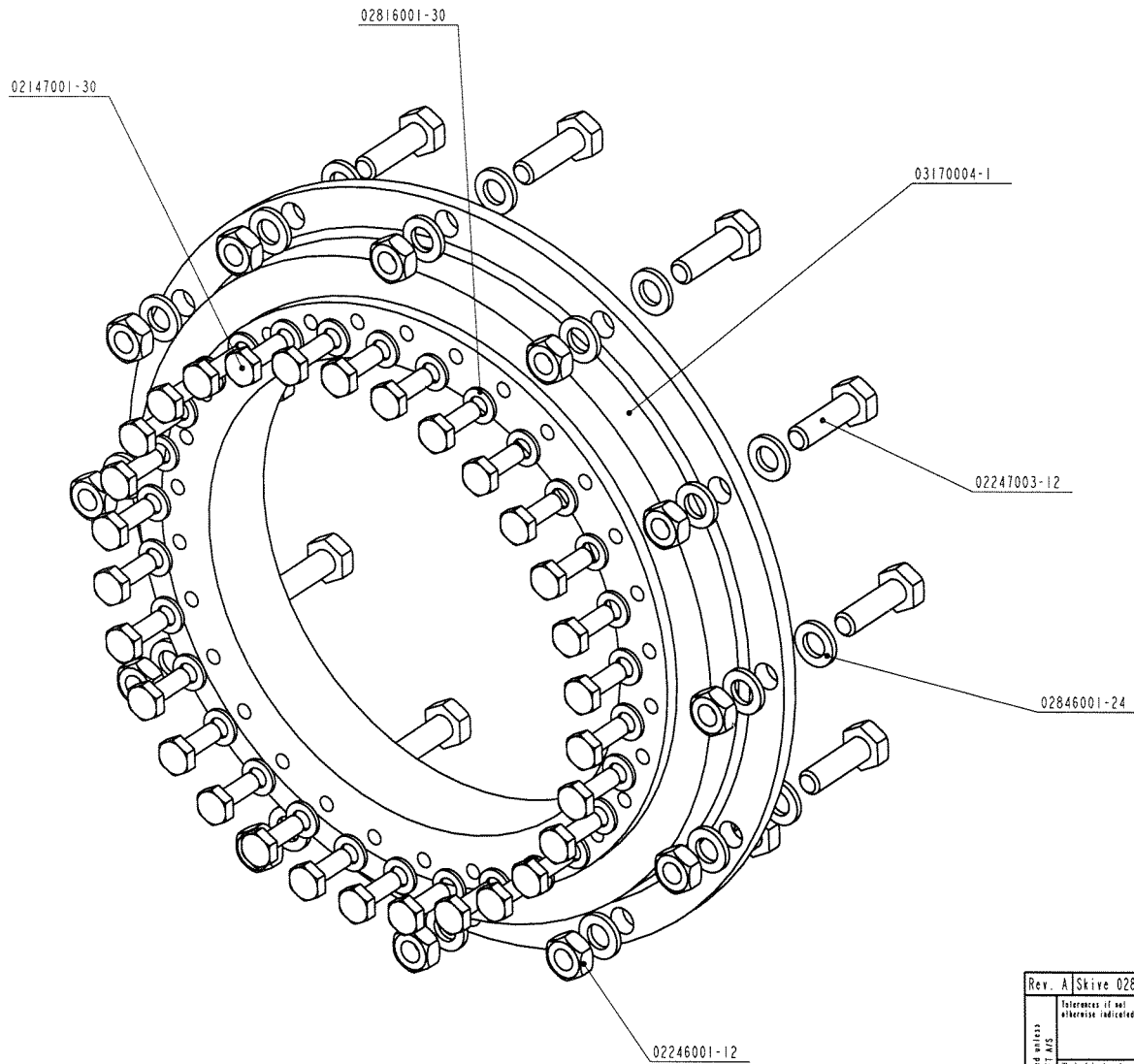
02146001-4


10095211-1

02816001-4

02147004-4

May not be copied or used without authorization by DENKA LIFT A/S	Tolerances if not otherwise indicated	DENKA-LIFT	Format 0.400	Supercedes drawing no.
	Weight in kg 33787.960	Højvang 5, DK-4300 Holbæk - Phone +45 59455500 Fax +45 59442155	Scale A2	Superceded by drawing no.
	Sheet 1	DL17/19/22N	Approved by	Drawn by DB 12-Apr-00
	Total sheets 1	Køjearrangement monteret Slewing arrangement mounted Dreh arrangement mounted	Drawing no. 12371101	

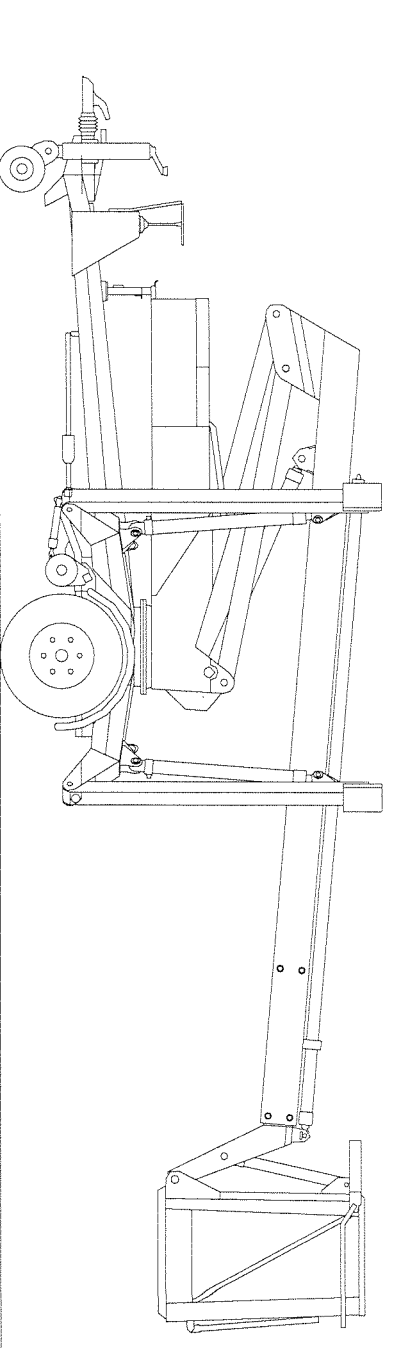


Rev. A Skive 02816001 30 stk tilføjet		15-Jan-01	SH
Tolerances if not otherwise indicated	DENKA-LIFT  Højvang 5, DK-4300 Holbæk · Phone +45 59455500 Fax +45 59442155		Format 0.500
			Scale A2
Weight in kg	40.050		Approved by
Sheet	1		Drawn by SH 13-Dec-00
Total sheets	2		Drawing no. 12060701

**RESERVEDELS-
KATALOG**

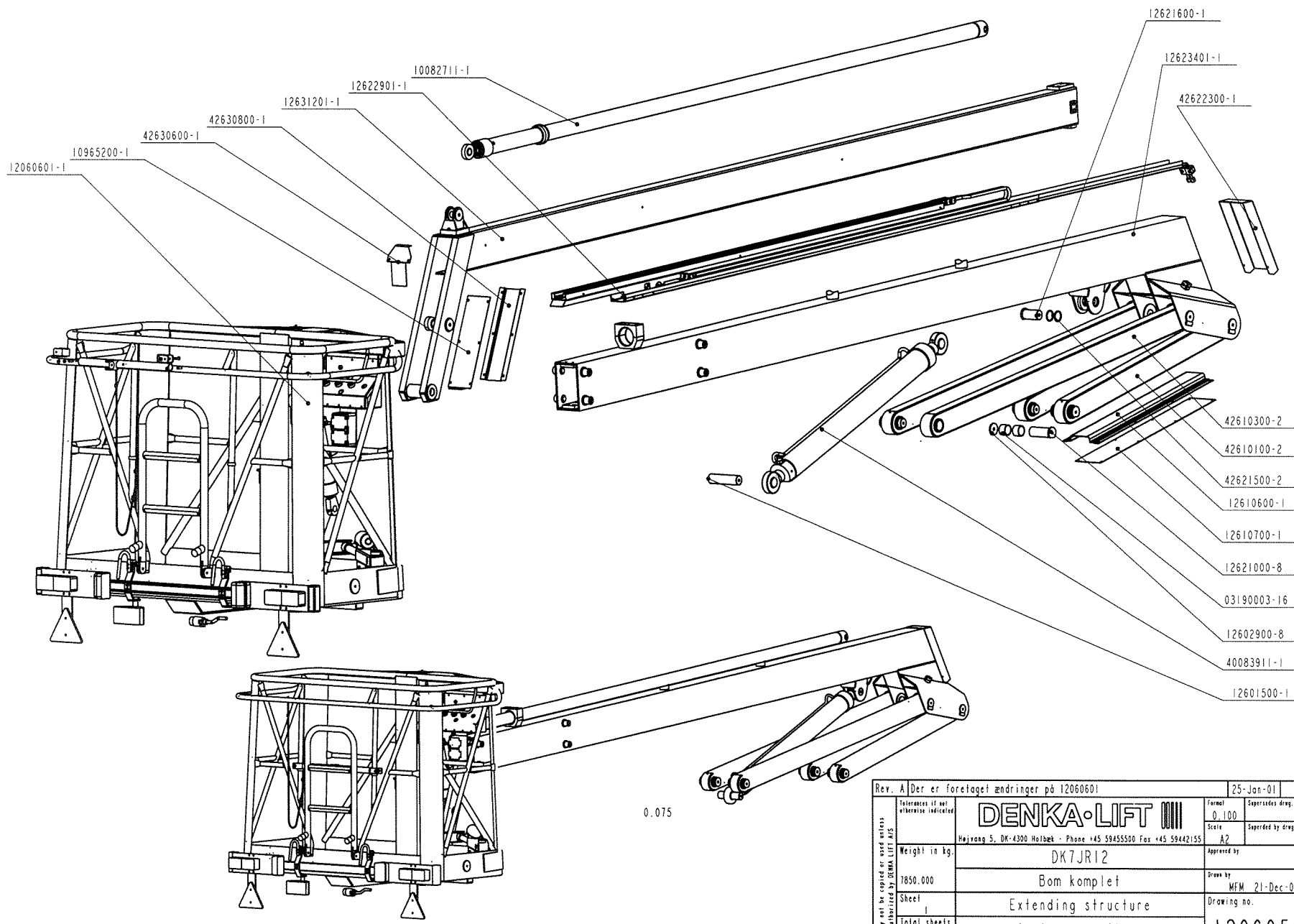
**SPARE PARTS
CATALOGUE**

**ERSATZTEILS-
KATALOG**




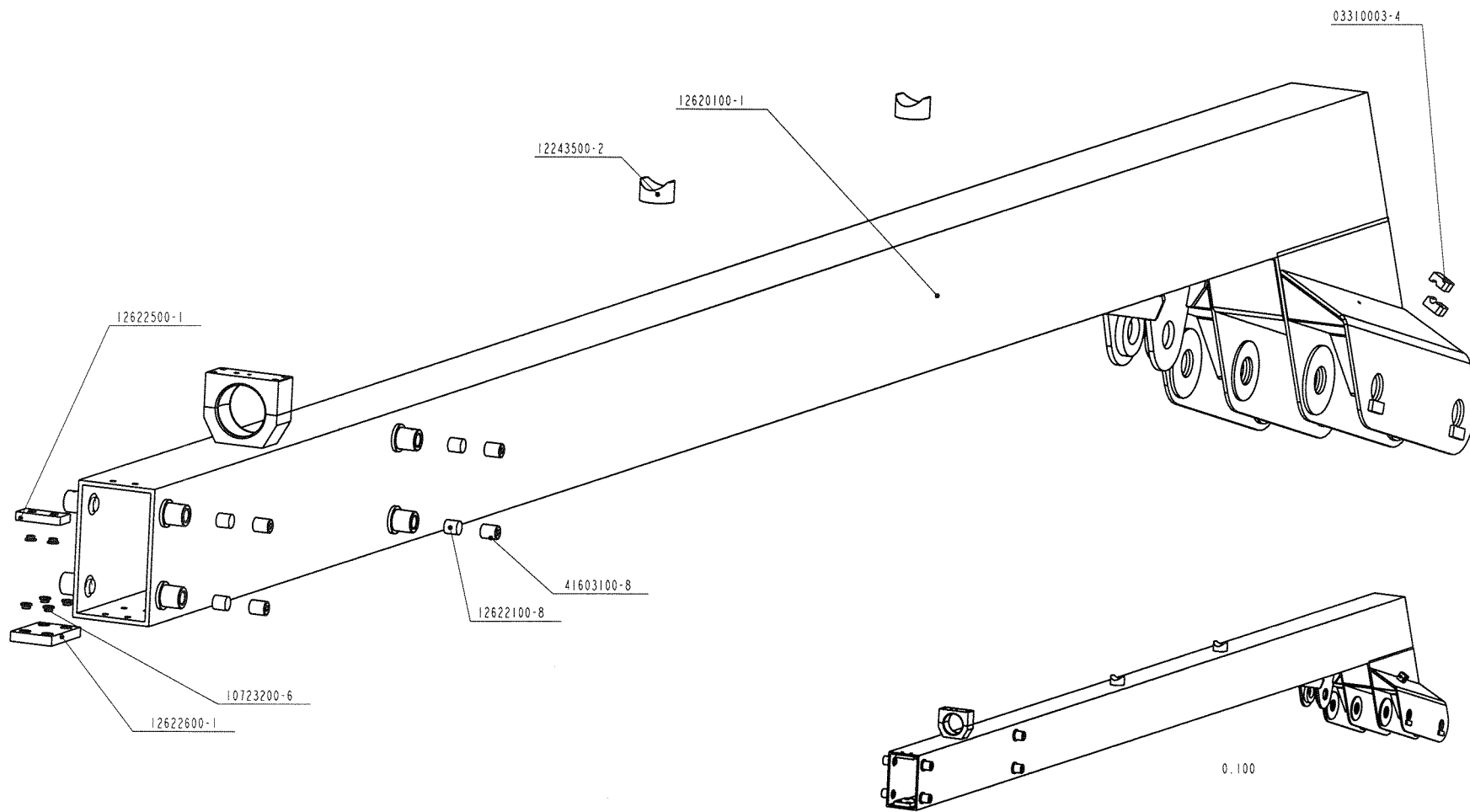
**BOM
BOOM
AUSLEGER**


Version – 07.2004

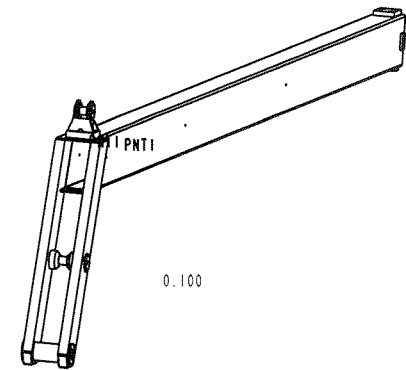
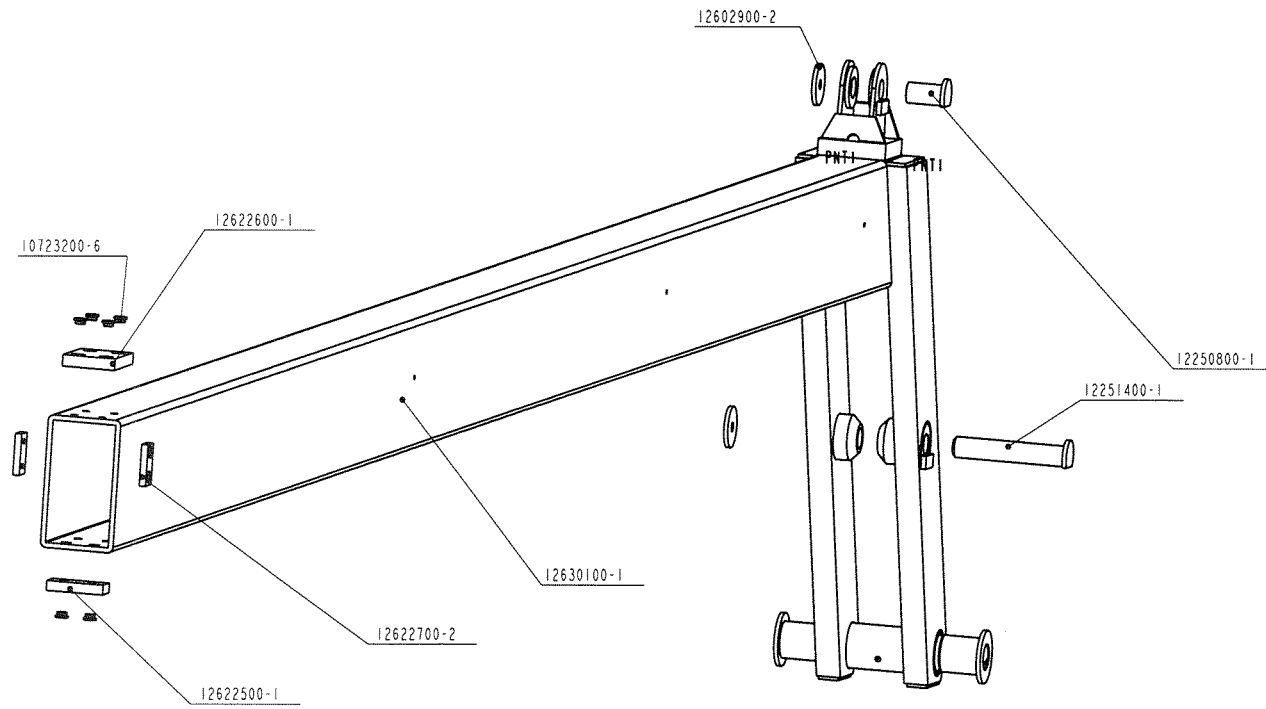


0.075


Rev. A Der er foretaget ændringer på 12060601		25-Jan-01 CMH	
May not be copied or used without authorization by DENKA LIFT A/S	Tolerances if not otherwise indicated	DENKA-LIFT 	
	Weight in kg.	Højvang 5, DK-4300 Halstebæk - Phone +45 59455500 Fax +45 59442155	
	7850.000	Formel 0.100 Scale A2 Superseded by: no.	
	Sheet 1	Approved by DK7JR12 Drawn by MEM 21-Dec-00	
Total sheets 2	Bom komplet Extending structure Ausleger montiert		Drawing no. 12060501



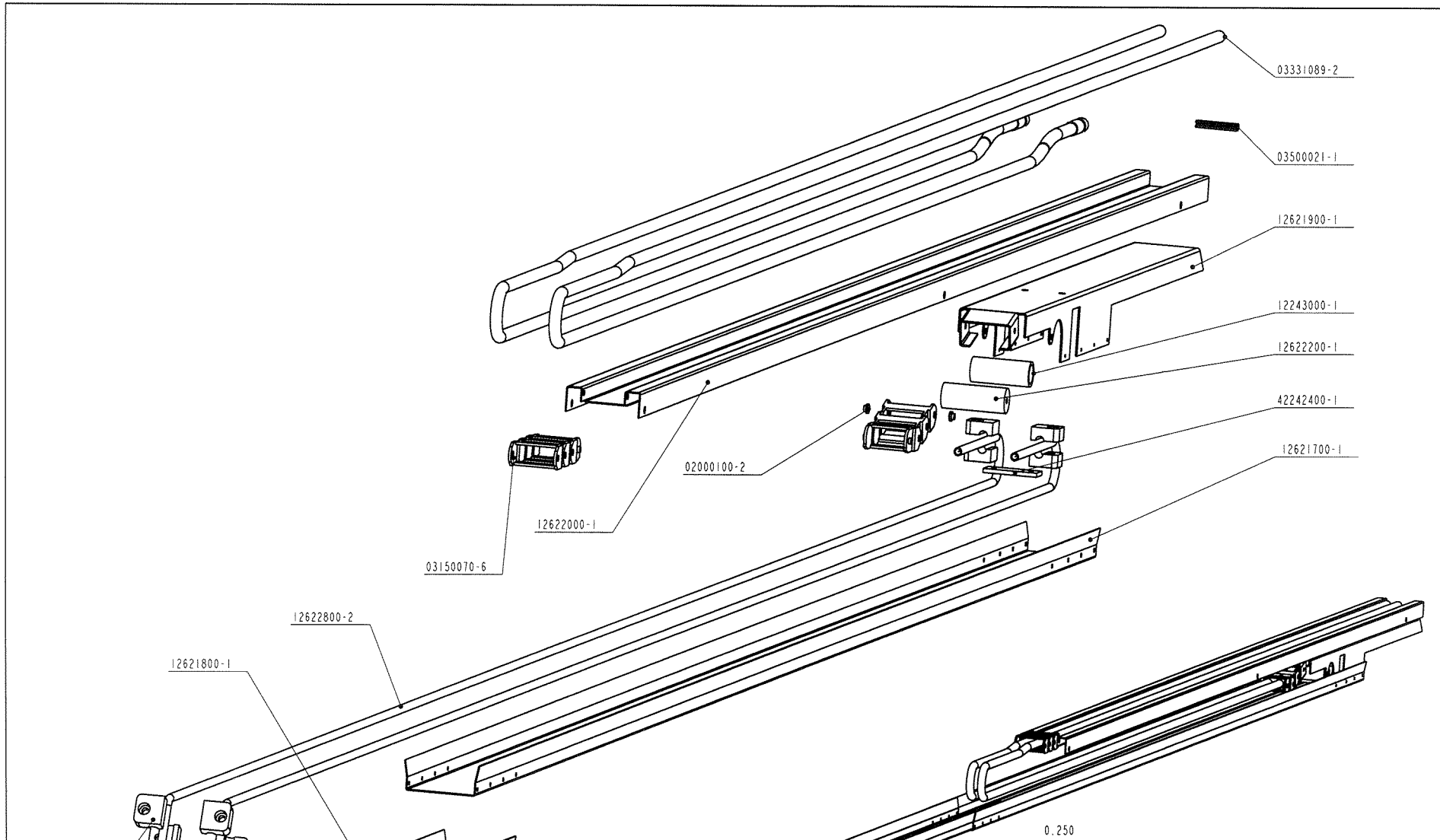
May not be copied or used without authorization by DENKA LIFT A/S	Tolerances if not otherwise indicated	DENKA-LIFT 	Format 0.250	Superseded drawing no.
	Weight in kg 166.083	Højvang S, DK-4300 Holbæk · Phone +45 59455500 Fax +45 59442155	Scale A2	Superseded by drawing no.
	Sheet 1	DK7JR12	Approved by	
	Total sheets 2	Bomrør I mont.	Drawn by MFM 22-Nov-00	
		Boom I tube, mounted	Drawing no. 12623401	
	Auslegerrohr I, montiert			




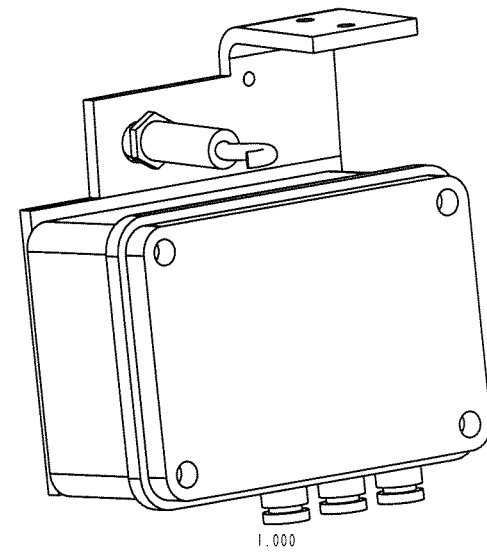
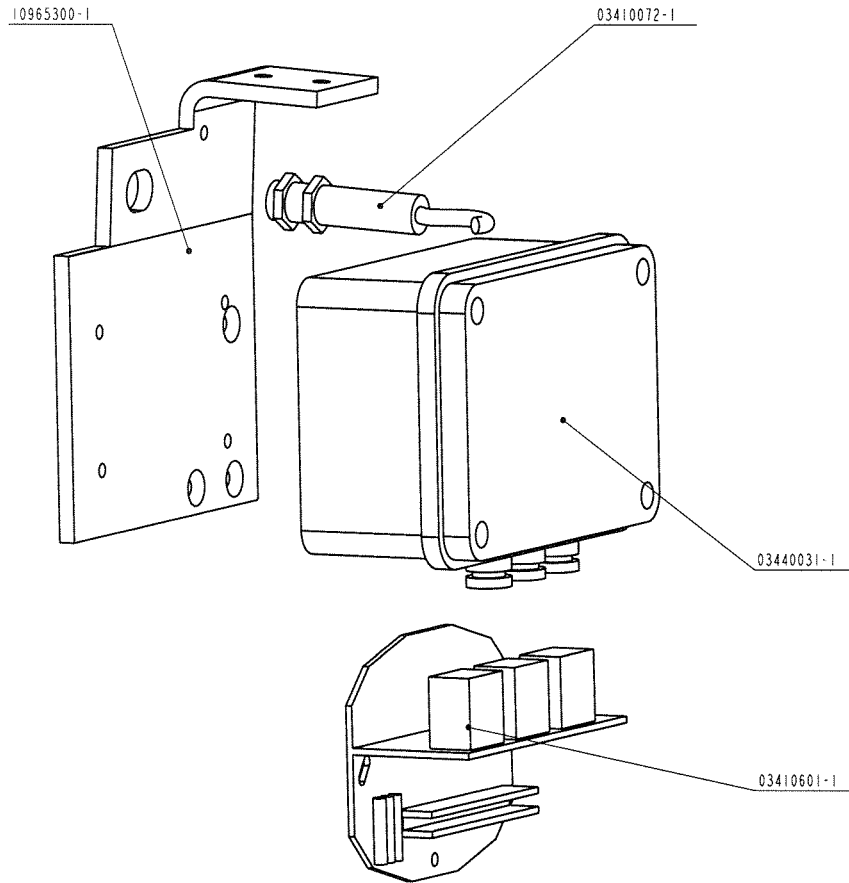
0.100


May not be copied or used without authorization by DENKA LIFT A/S	Tolerances if not otherwise indicated	DENKA-LIFT 	Formel	Supersedes drag. no.	
	Weight in kg.		0.250	Scale	Supersedes by drag. no.
	133.432	Højvang 5, DK-4300 Holbæk - Phone +45 59455500 Fax +45 59442155	A2	Approved by	
	Sheet	DK7JR12	Drawn by		
	Total sheets	Bomrør 2 mont.	MEM 22-Nov-00		
2	Boomrør	Drawing no.			
	Auslegerrohr 2, montiert	12631201			

9	Skive
8	Glide
7	Glide
6	Glide
5	Gearin
4	Bushin
3	Bomrør
2	Aksel
1	Aksel



May not be copied or used without permission by DENKA LIFT A/S	Tolerances if not otherwise indicated	DENKA-LIFT 	Formel	Supersedes drawing no.
			0.400	Scale
	Weight in kg.	Højvang 5, DK-4300 Holbæk - Phone +45 59455500 Fax +45 59442155	A2	Approved by
	Sheet	DK7JR12		Drawn by
	Total sheets	Kabelføring samlet		MEM 20-Nov-00
	Cabling, mounted		Drawing no.	
	Kabelføring, gesammelt		12622901	

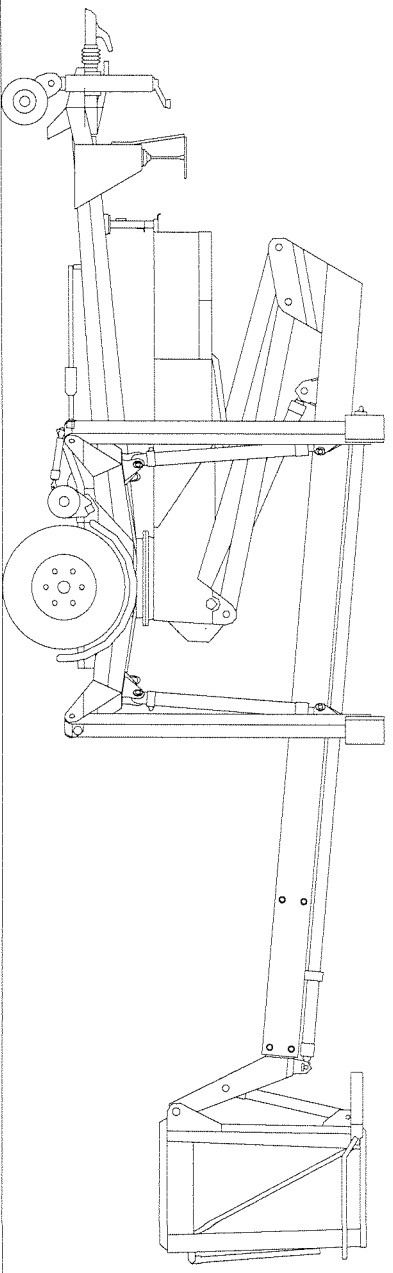


May not be copied or used unless authorized by DENKA LIFT A/S	Tolerances of not otherwise indicated	DENKA-LIFT 	Formel	Supersedes drawing no.
			1.000	Static
	Weight in kg.	Højvang 5, DK-4300 Højbæk · Phone +45 59455500 Fax +45 59442155	A2	Approved by
	7850.000	Alle		Drawn by
	Sheet	LV-print monteret		PH 28-Dec-00
1	LV-print mounted		Drawing no.	
Total sheets	LV-Print monteret		14054001	
1				

**RESERVEDELS-
KATALOG**

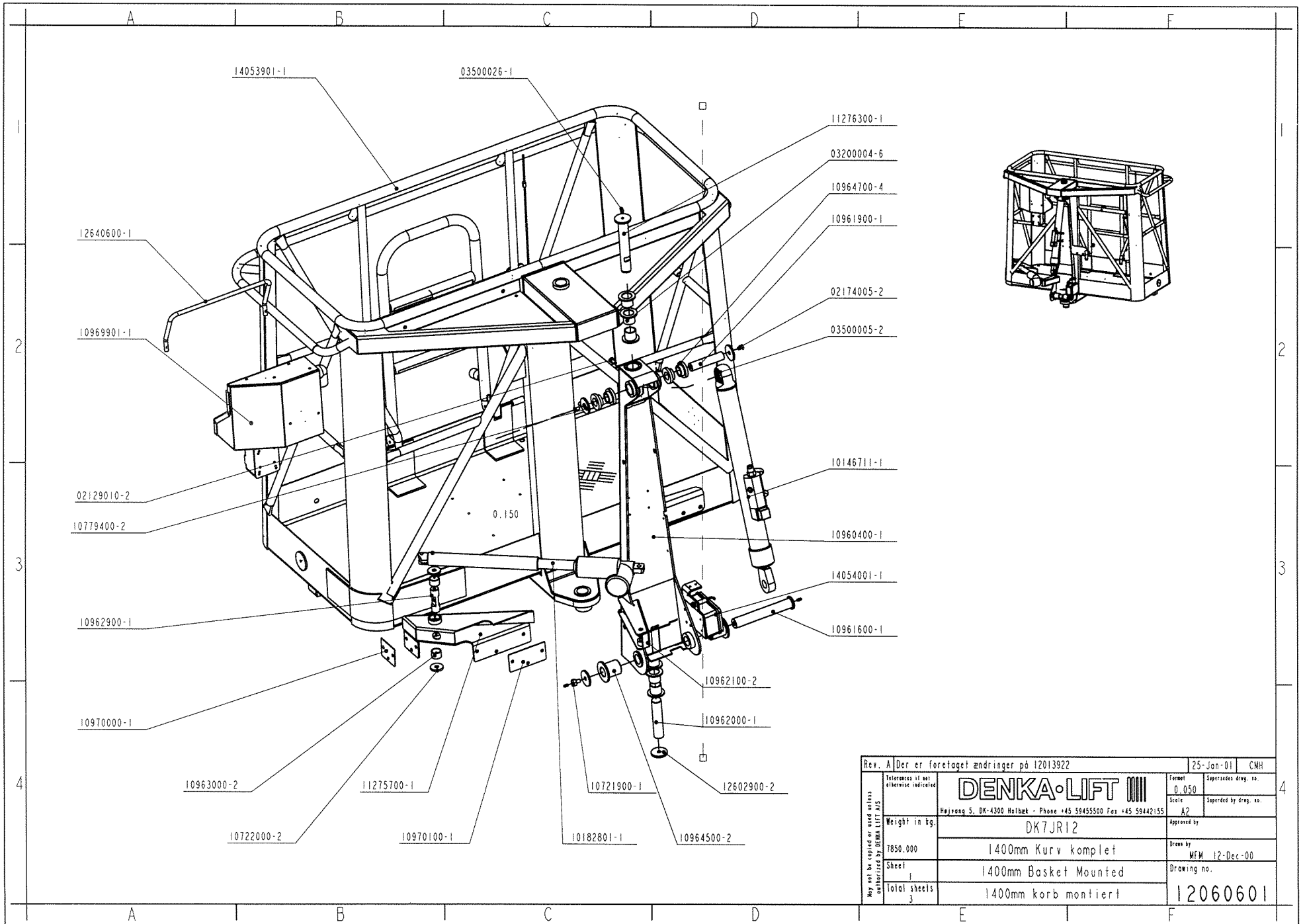
**SPARE PARTS
CATALOGUE**

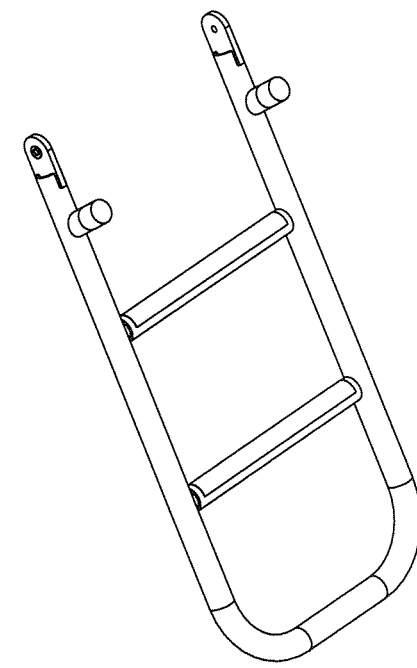
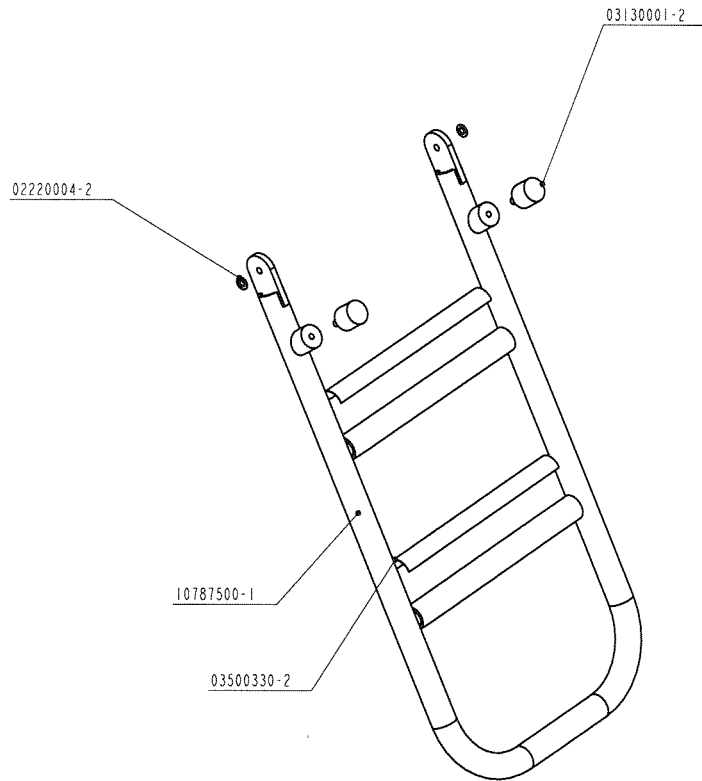
**ERSATZTEILS-
KATALOG**




**KURV
BASKET
KORB**

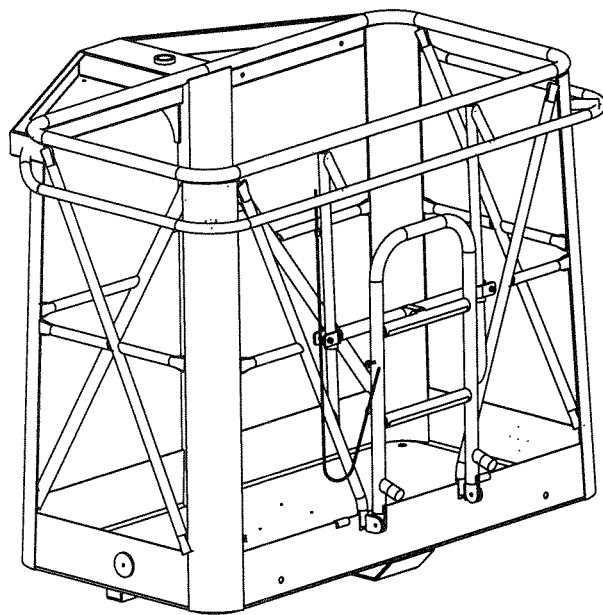
Version – 07.2004



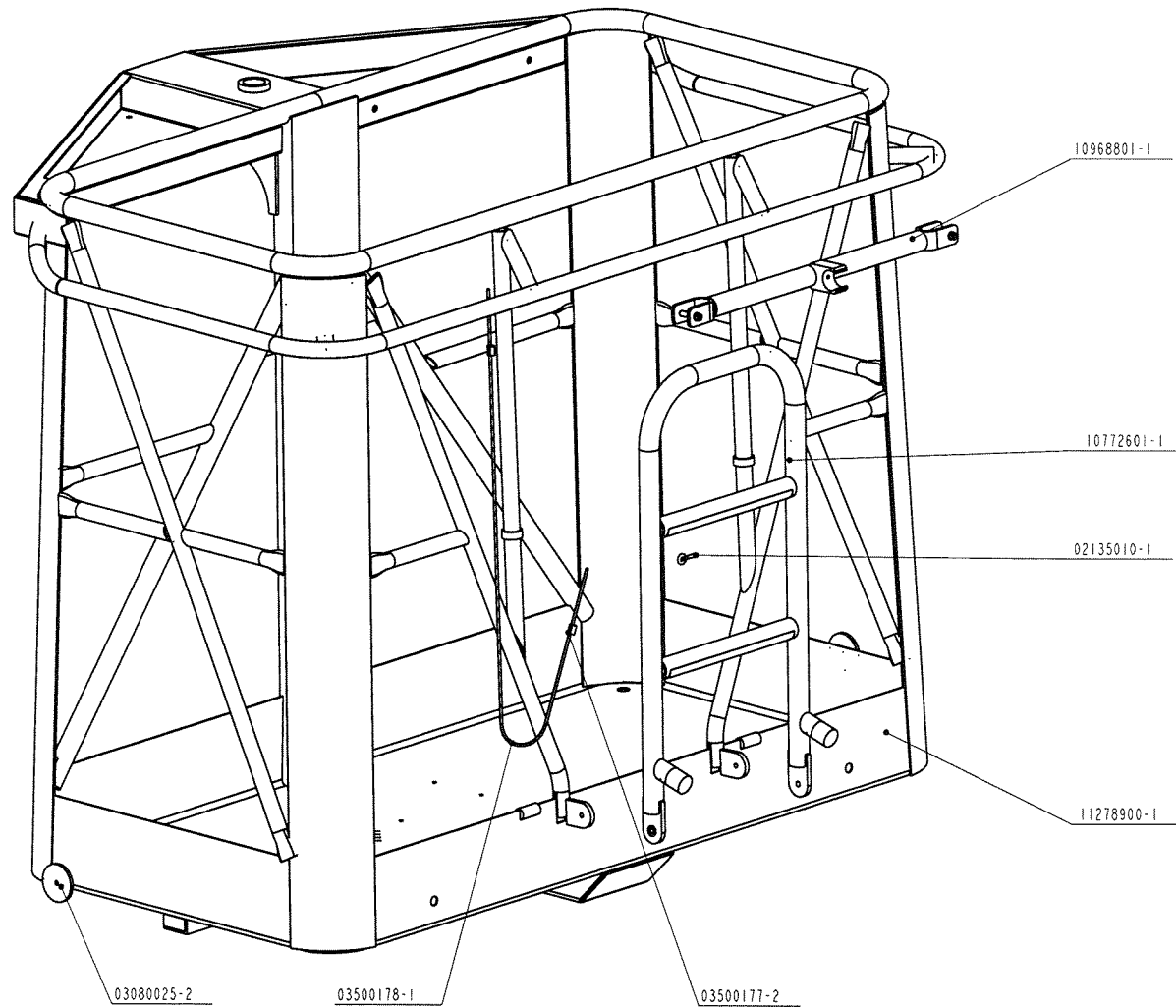


May not be copied or used without authorization by DENKA LIFT A/S	Tolerances if not otherwise indicated	DENKA-LIFT 	Formel 0_250	Supersedes drawing no.
	DS 2768-1 m		Scale A2	Superseded by drawing no.
	Weight in kg. 7850.000	Højvang 5, DK-4300 Hølbæk · Phone +45 59455500 Fax +45 59442155		Approved by
	Sheet 1	Kurv		Drawn by MFM 03-Jan-01
	Total sheets 1	Stige kpl. f. kurv Leiter montiert		Drawing no. 10772601

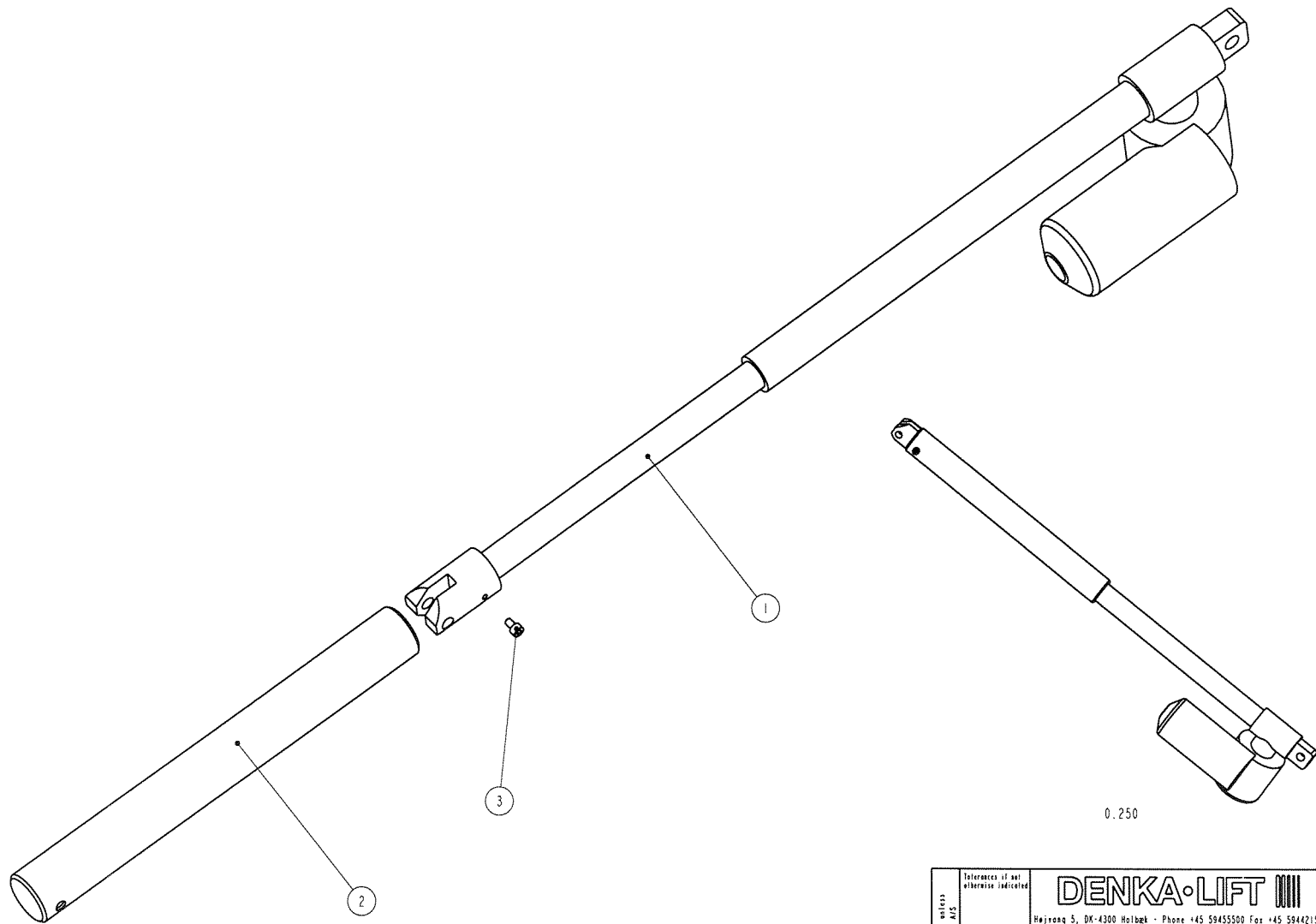
4	Stige
3	Skrid
2	Rundg
1	Nylon




0.125

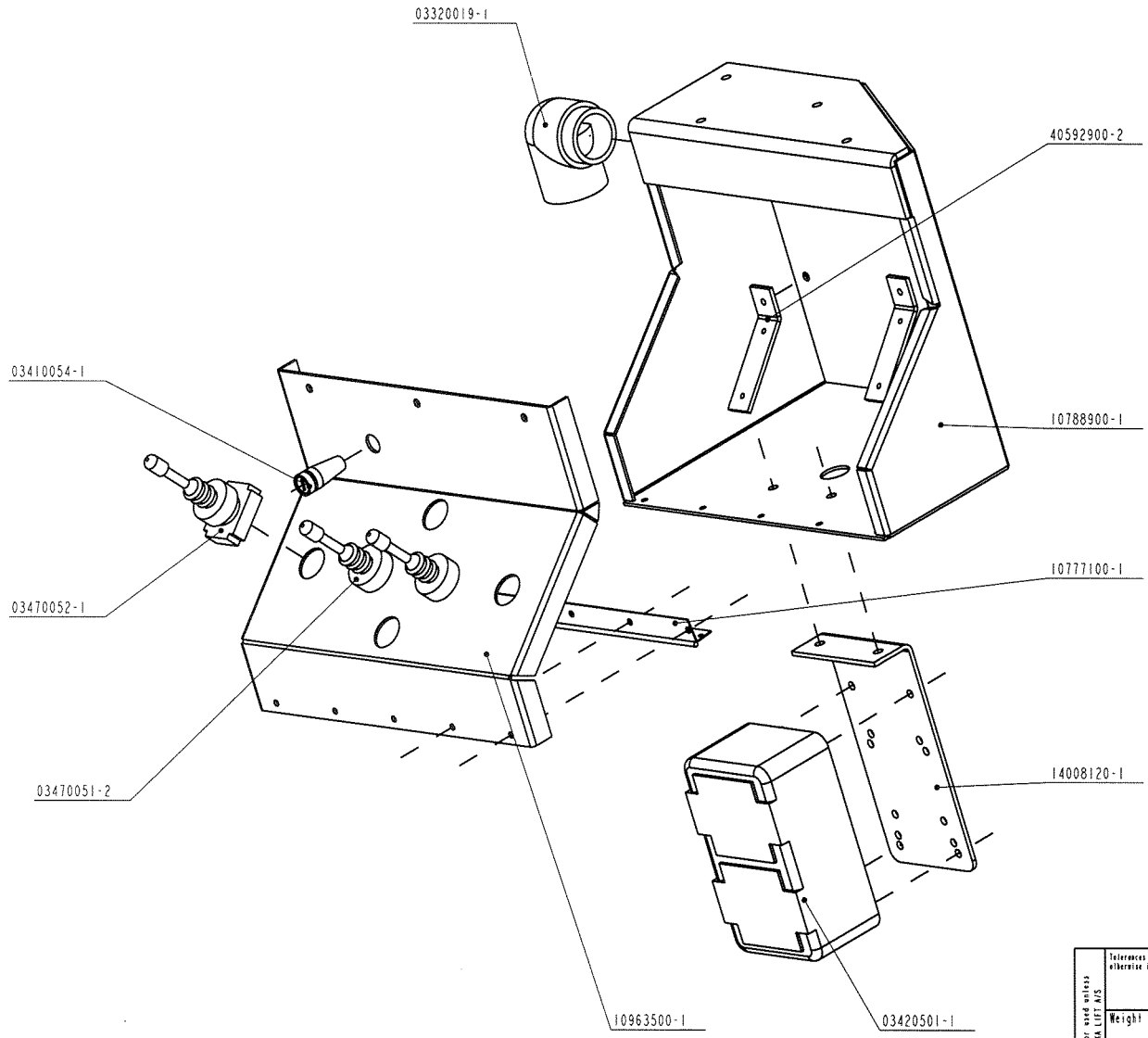



May not be copied or used without authorization by DENKA-LIFT A/S	Rev. A 10968801 erstatter 10786800 & 10968900	31-Aug-01 CMH		
	Tolerances if not otherwise indicated	DENKA-LIFT	Formel 0.200	Supersedes drwg. no.
	Weight in kg.	Højvang 5, DK-4300 Holbæk · Phone +45 59455500 Fax +45 59442155	Scale A2	Superseded by drwg. no.
	43.240	DK3/7 DL15-30	Approved by	Drawn by MFM 04-Dec-00
	Sheet Total sheets	Drejbar kurv 1400 mm. monteret Basket mounted Korb Montiert	Drawing no. 14053901	

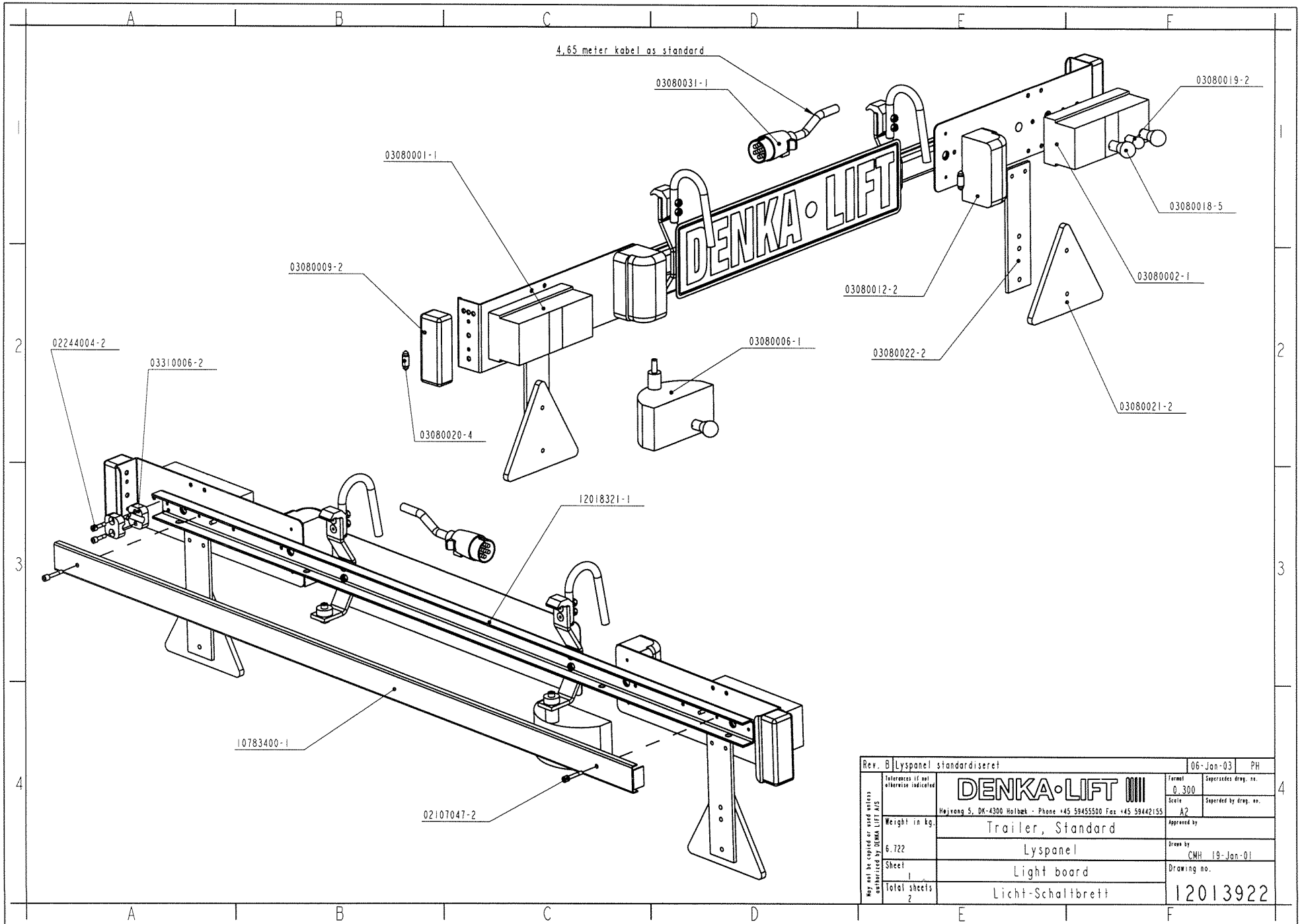



0.250

May not be copied or used unless authorized by DENKA-LIFT	Tolerances if not otherwise indicated	DENKA-LIFT 	Formel	Supersedes drag. no.
	Weight in kg.		0.500	Scale
	1850.000	Højvang 5, DK-4300 Holbæk - Phone +45 59455500 Fax +45 59442155	A2	Approved by
	Sheet	komp.		Drawn by
	Total sheets	Actuator kpl. LA30.1-300-24V		PH 21-Dec-00
	Actuator kpl. LA30.1-300-24V		Drawing no.	
	Actuator kpl. LA30.1-300-24V		10182801	



May not be copied or used without authorization by DENKA LIFT A/S	Tolerances if not otherwise indicated	DENKA-LIFT 	Format 0.500	Supersedes drawing no.
	Weight in kg 7850.000	Højvang 5, DK-4300 Holbæk · Phone +45 59455500 Fax +45 59442155	Scale A2	Supersede by drawing no.
	Sheet 1	Manøvreput on/off RBW	Approved by	
	Total sheets 2	Manøvreput on/off RBW	Drawn by PH 11-Jul-02	
			Drawing no. 10969901	

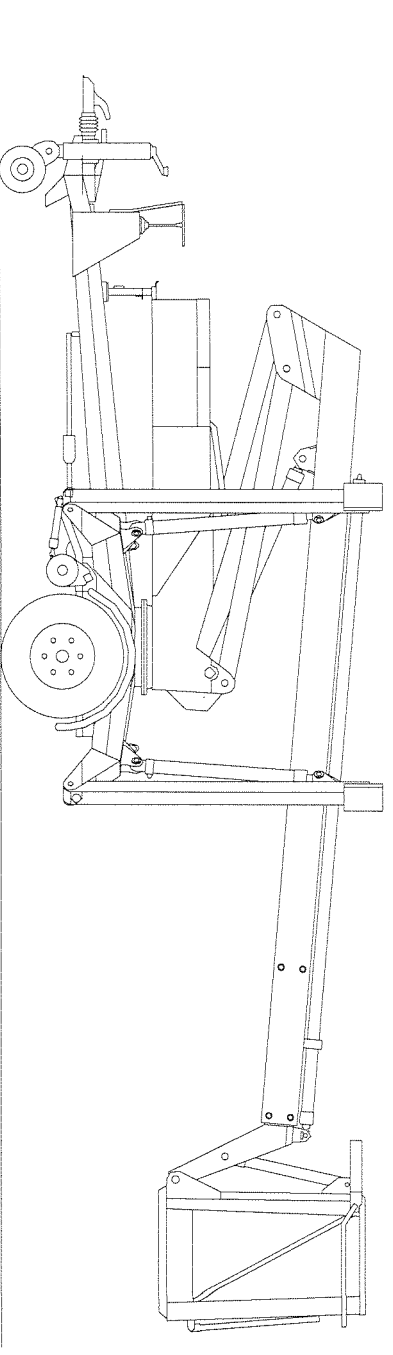


Rev. B Lyspanel standardiseret		06-Jan-03	PH
May not be copied or used without written permission of DENKA-LIFT A/S	Tolerances if not otherwise indicated	DENKA-LIFT 	
	Weight in kg.	0,300	Supersedes drawing no.
	Sheet	A2	Superseded by drawing no.
	Total sheets	2	Approved by
Trailer, Standard		Drawn by	CMH 19-Jan-01
Lyspanel		Drawing no.	
Light board		12013922	
Licht-Schaltbrett			

**RESERVEDELS-
KATALOG**

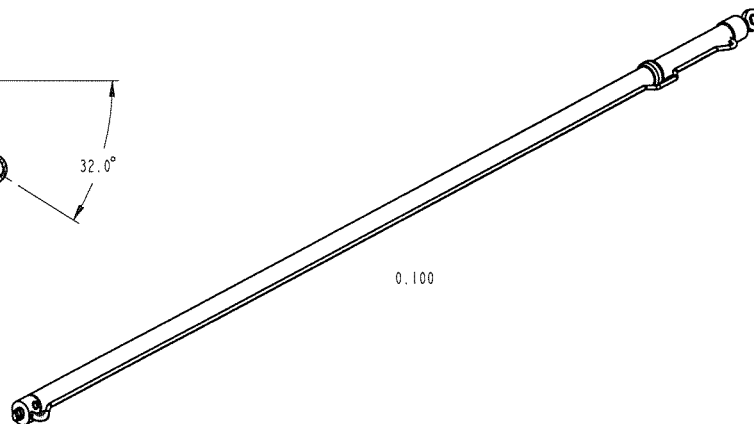
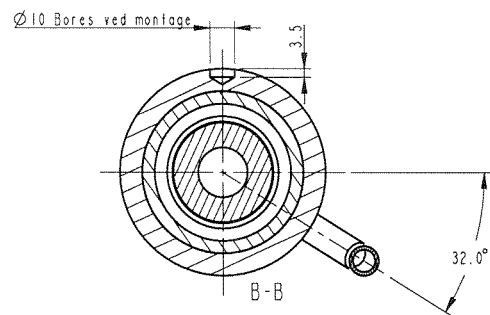
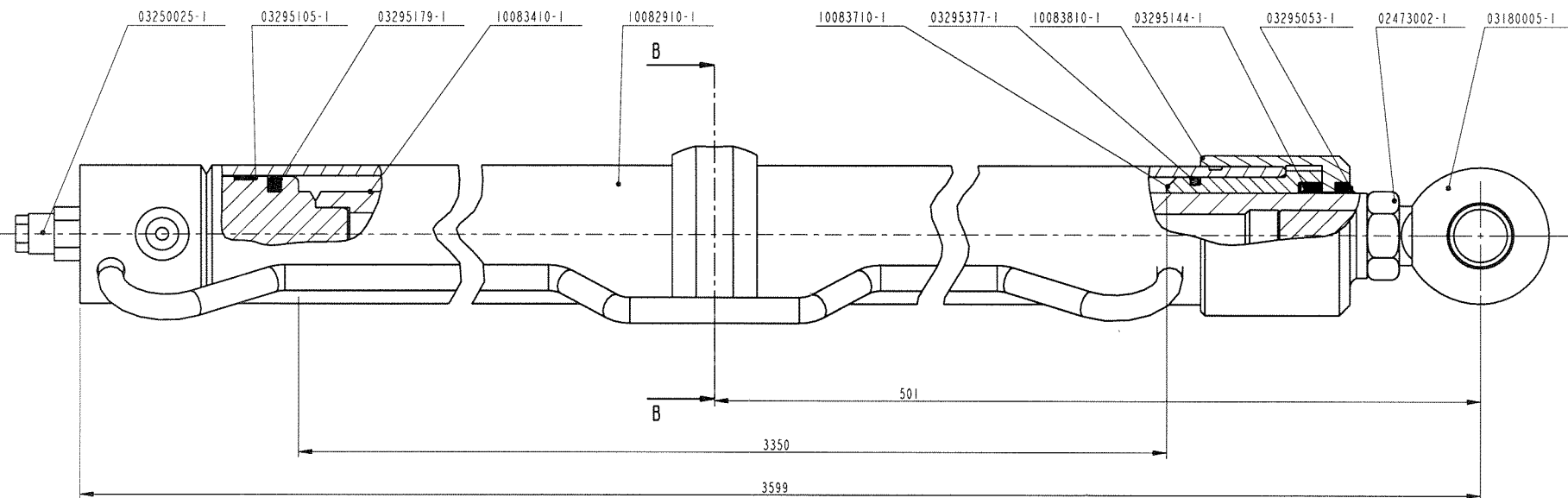
**SPARE PARTS
CATALOGUE**

**ERSATZTEILS-
KATALOG**



**CYLINDER
ZYLINDER**

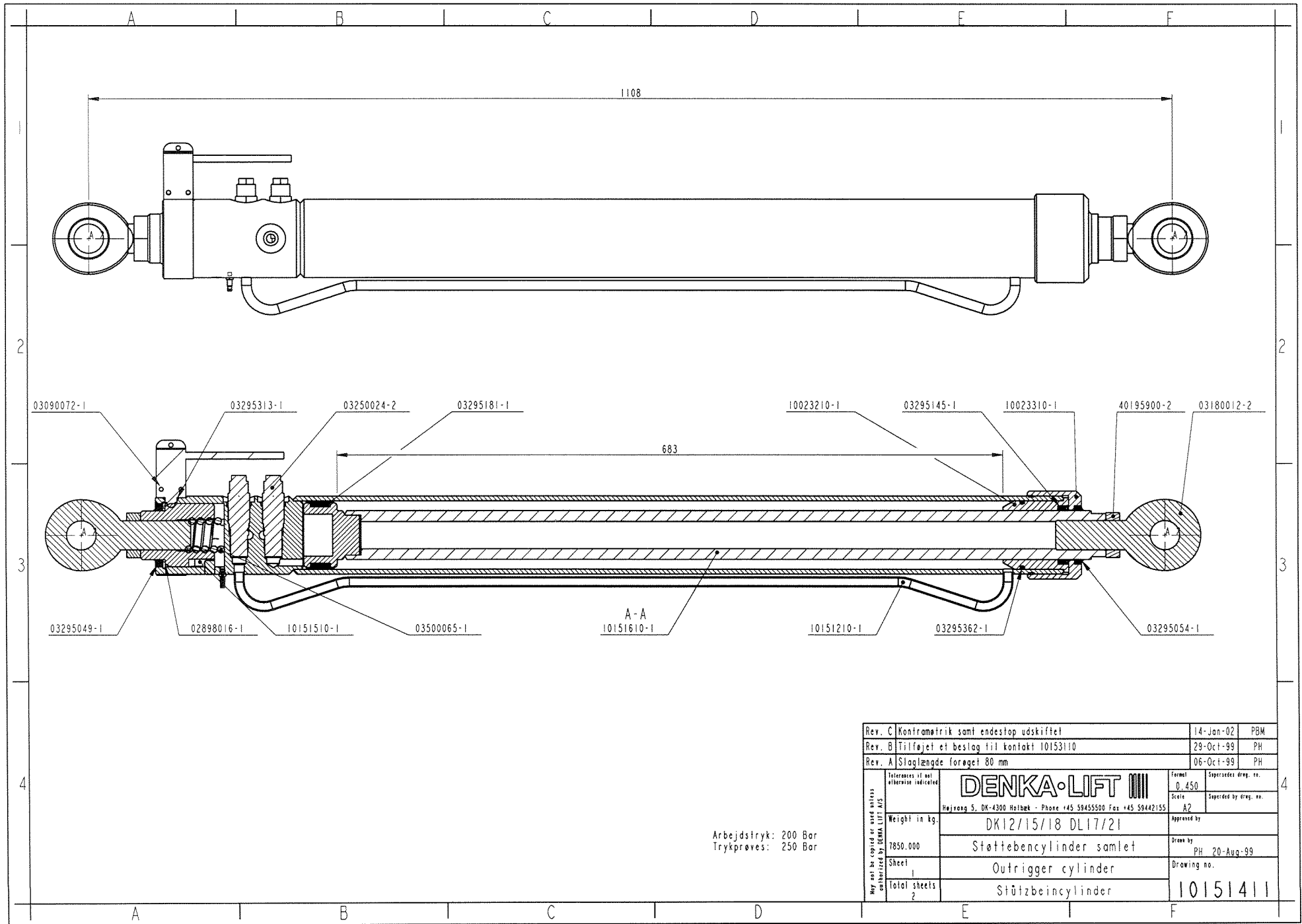
Version – 07.2004



NOTE: Komplet pakningsset varenr. 10082712

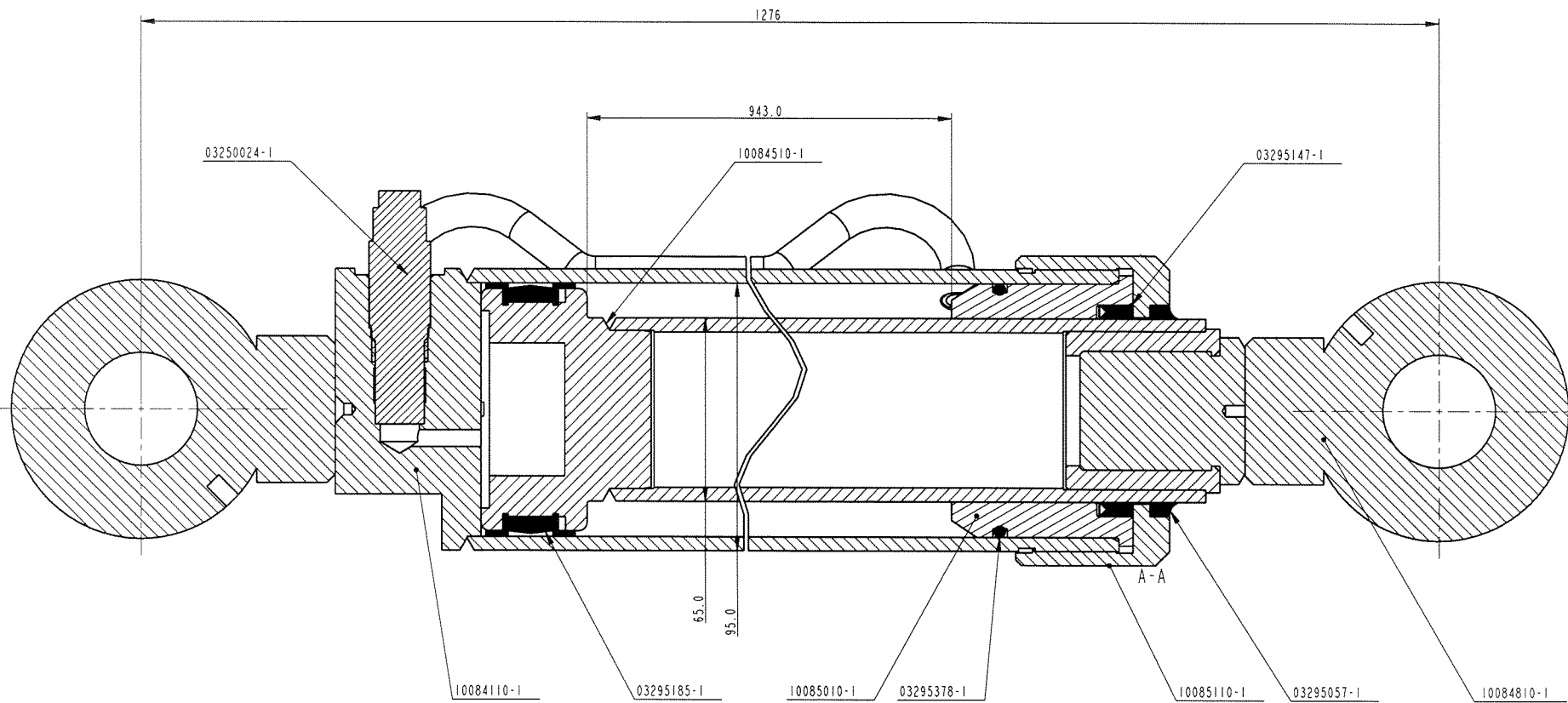
Note: Males 80-120 µm

Rev. C	Tegnet i PRO	31-Jan-00	MFM
Tolerances if not otherwise indicated	DENKA-LIFT	Format	Supersedes drawing no.
Weight in kg.	Højvang S, DK-4300 Holbæk - Phone +45 59455500 Fax +45 59442155	0.750	Supersedes drawing no.
7850.000	DA1s-55/40-3350-VS-HS	Scale	A2
Sheet	Bomcylinder DK7 JR12	Approved by	
Total sheets		Drawn by	MFM 26-Jan-00
		Drawing no.	
			10082711



Arbejdstryk: 200 Bar
 Trykprøves: 250 Bar

Rev. C	Kontrametik samt endestop udklippet	14-Jan-02	PBM
Rev. B	Tilføjet et beslag til kontakt 10153110	29-Oct-99	PH
Rev. A	Slaglængde forøget 80 mm	06-Oct-99	PH
May not be copied or used without authorization by DENKA LIFT A/S	Tolerances if not otherwise indicated DENKA-LIFT	Format D 450	Supersedes drag. no.
	Weight in kg. 7850,000	Højroeng 5, DK-4300 Holbæk - Phone +45 59455500 Fax +45 59442155	Scale A2 Supersedes by drag. no.
	Sheet 1	Approved by DK12/15/18 DL17/21	Drawn by PH 20-Aug-99
	Total sheets 2	Støttebencylinder samlet Outrigger cylinder Stützbeincylinder	Drawing no. 10151411



Note: Males 80-120 µm

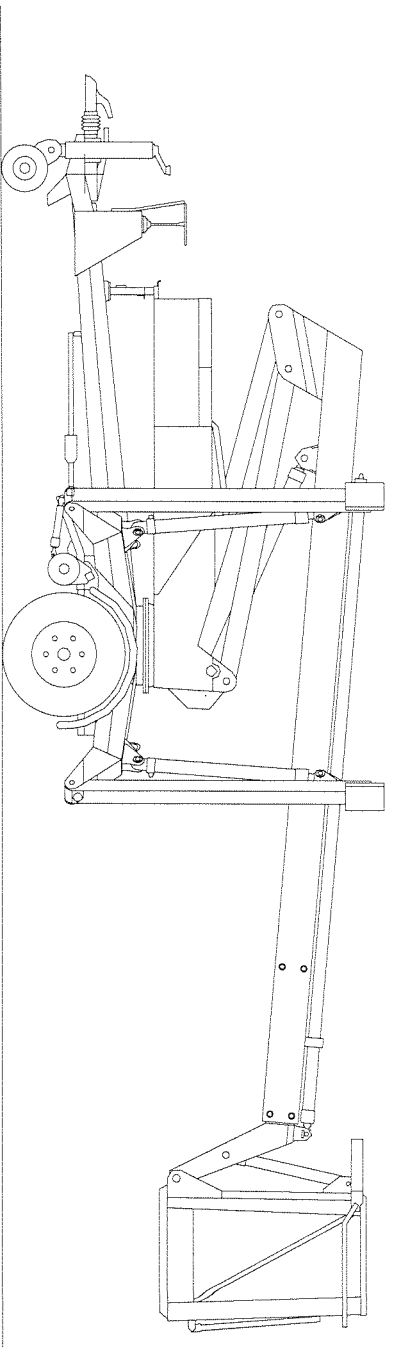
Arbejdstryk: 200 Bar
Trykprøves: 250 Bar

Tolerances if not otherwise indicated May not be copied or used without authorization by DENKA LIFT A/S	DENKA LIFT		Format	Supersedes drawing no.
	Højvang 5, DK-4300 Holbæk - Phone +45 59455500 Fax +45 59442155		Scale	Supersedes by drawing no.
Weight in kg.	DAIS-90/65-945-SS-HS		Approved by	
Sheet	Tipcylinder DK7 JR12		Drawn by	MFW 12-Oct-99
Total sheets	1		Drawing no.	40083911

**RESERVEDELS-
KATALOG**

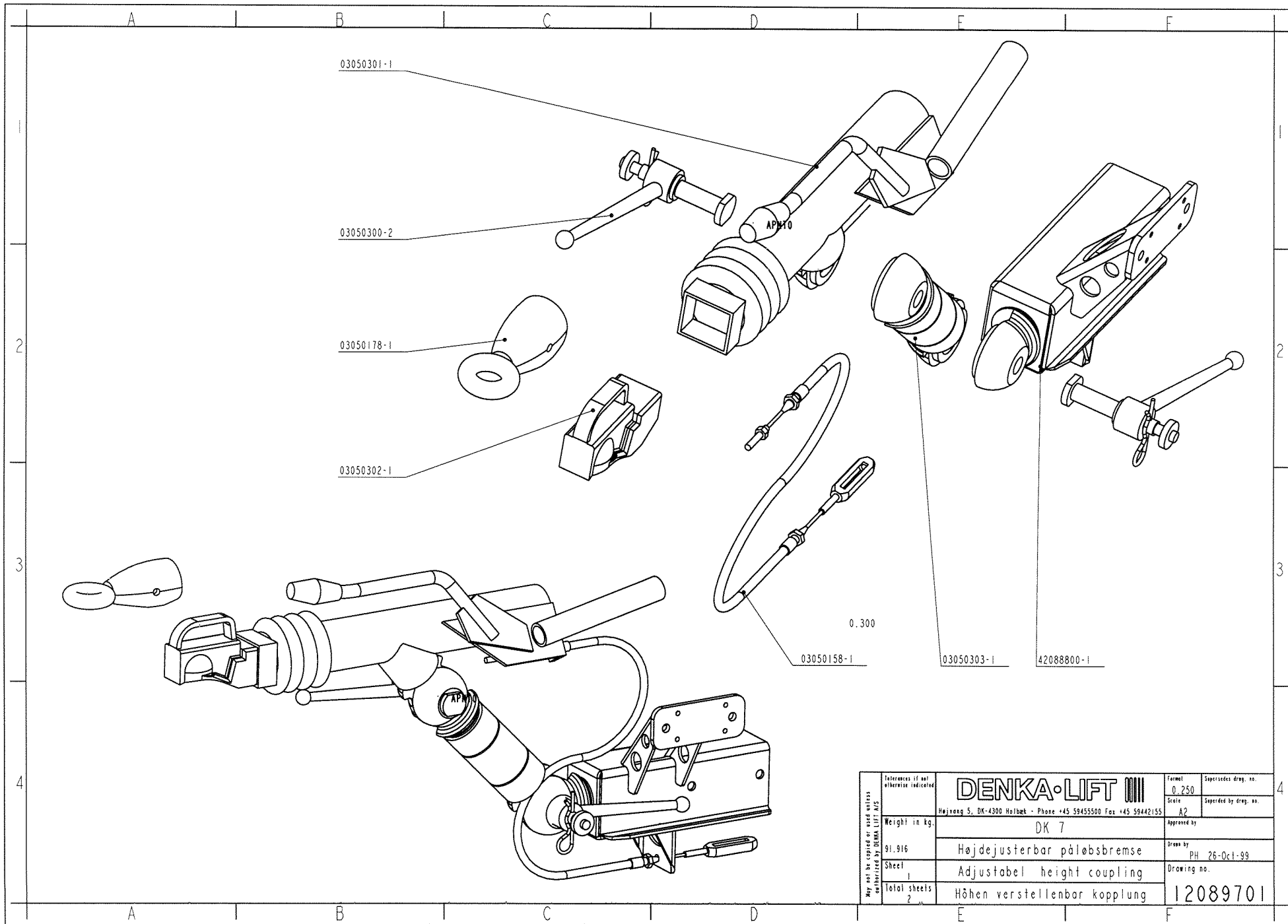
**SPARE PARTS
CATALOGUE**

**ERSATZTEILS-
KATALOG**



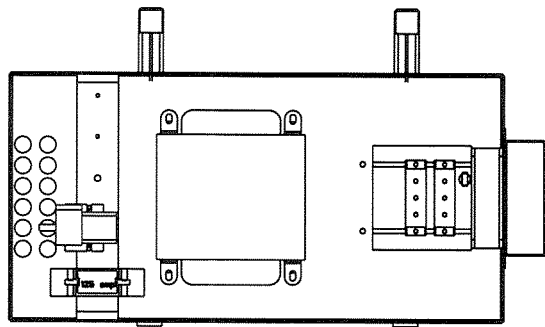
EXTRA

Version – 07.2004

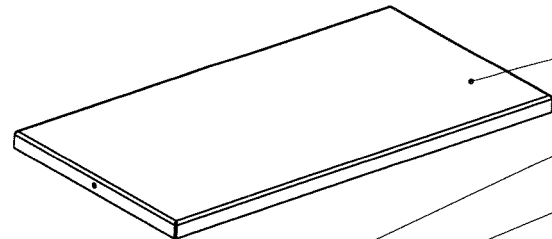


May not be copied or used without authorization by DENKA LIFT A/S	Tolerances if not otherwise indicated	DENKA-LIFT	Formel 0_250	Supersedes drawing no.
	Weight in kg.	Højvang 5, DK-4300 Holbæk - Phone +45 59455500 Fax +45 59442155	Scale A2	Supersedes by drawing no.
	91.916	DK 7	Approved by	Drawn by PH 26-Oct-99
	Sheet 1	Højdejusterbar påløbsbremse Adjustabel height coupling	Drawing no.	
	Total sheets 2	Höhen verstellenbar kopplung		

12089701



Set fra oven. Samlet. Uden låg.



43007320-1

03410008-1

03300001-1

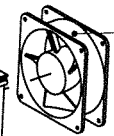
03410038-1

43008220-1

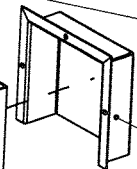
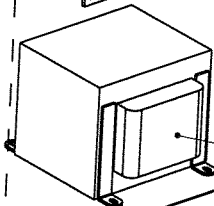
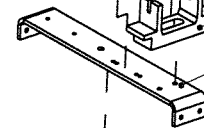
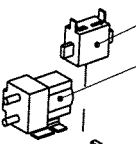
03420011-1

03420070-2

03400008-1



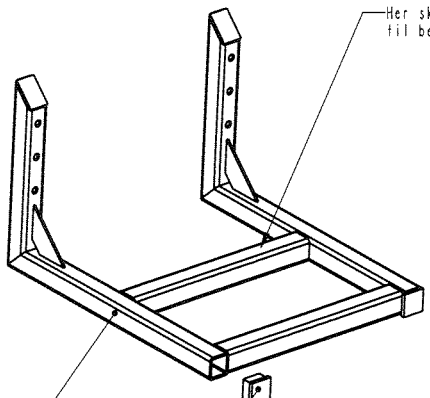
03420092-1



03420069-1

46002120-1

Her skæres 4 x M6
fil befæstigelse

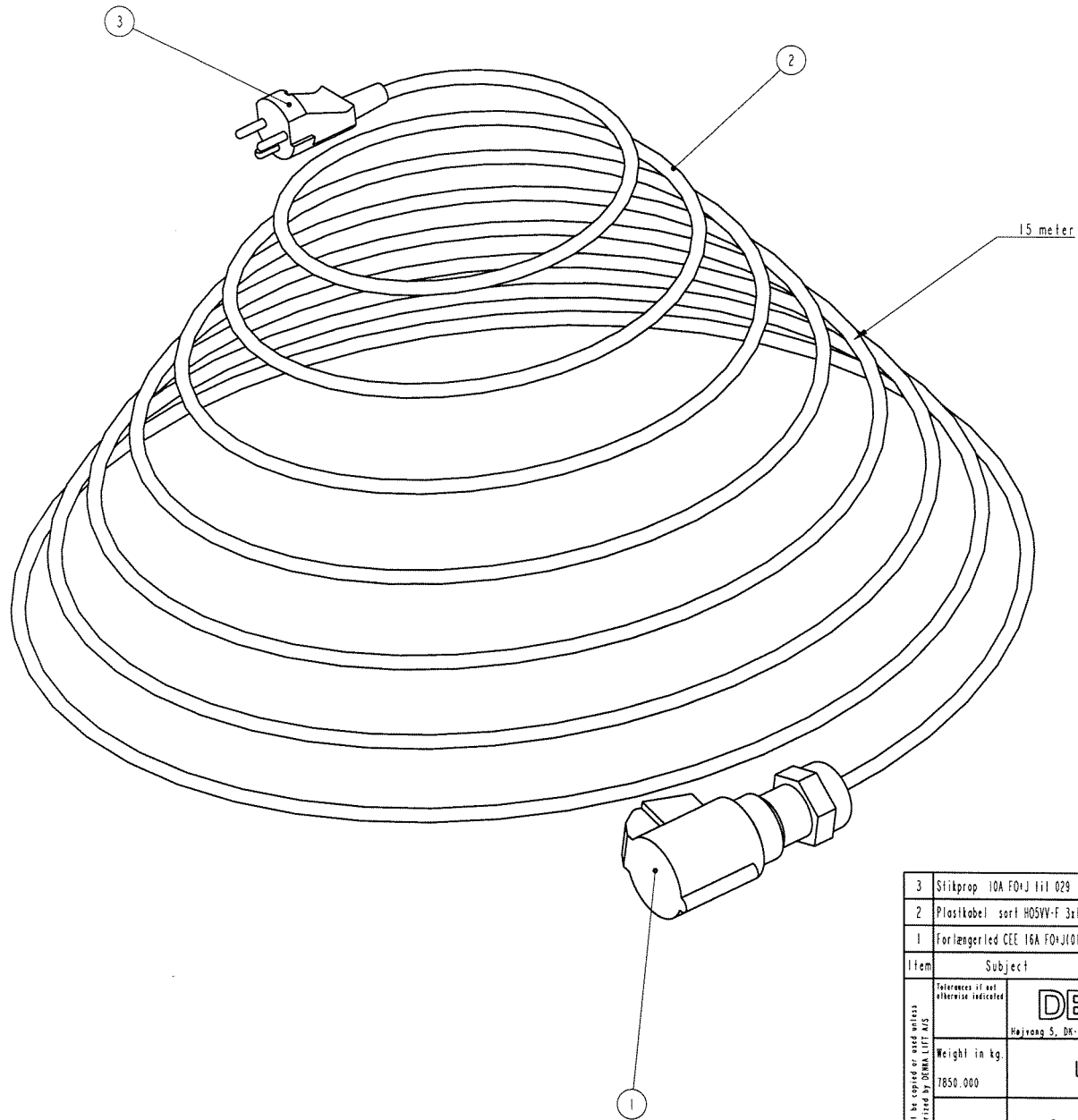


42090100-1

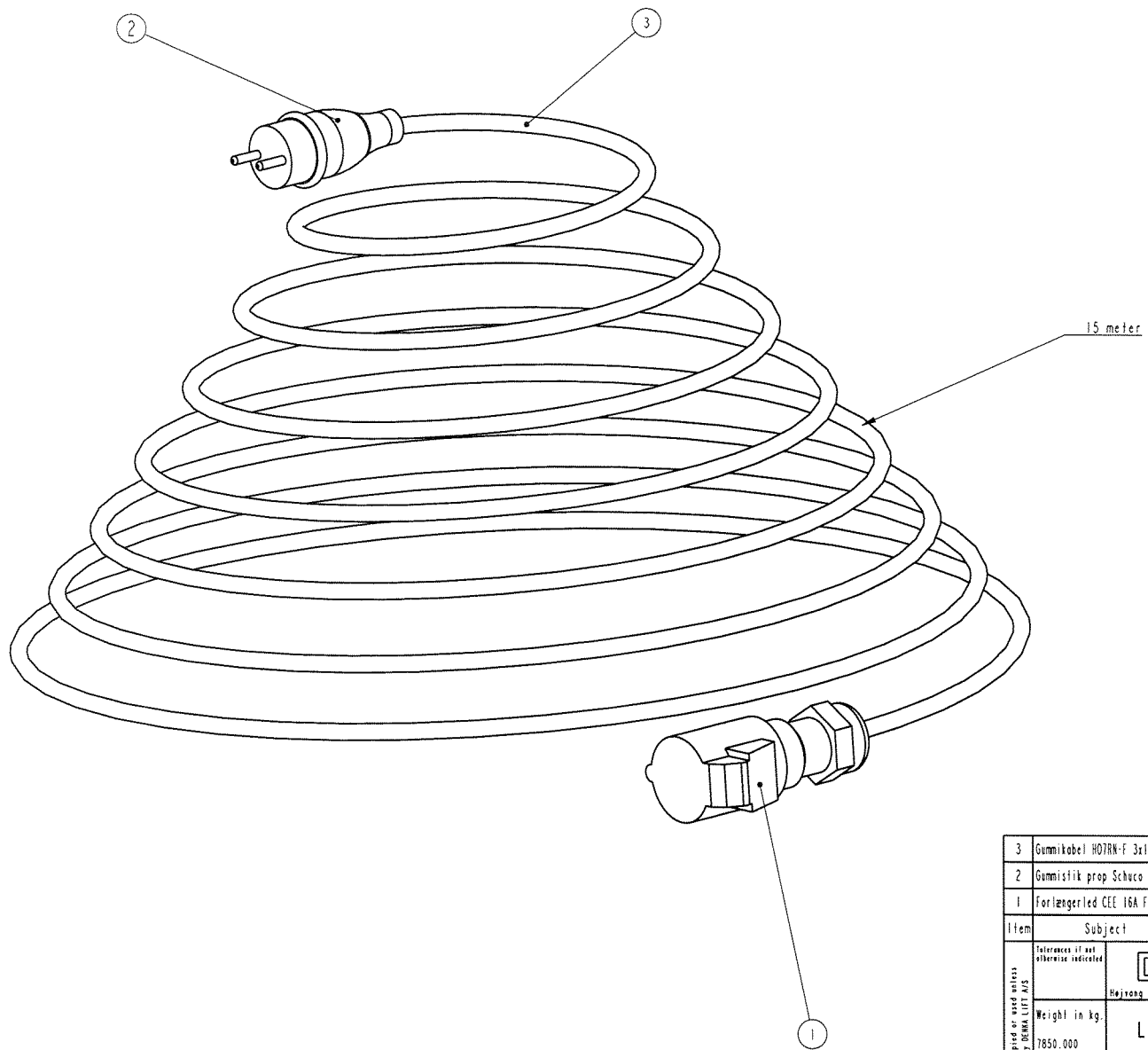
03130044-2

43007220-1

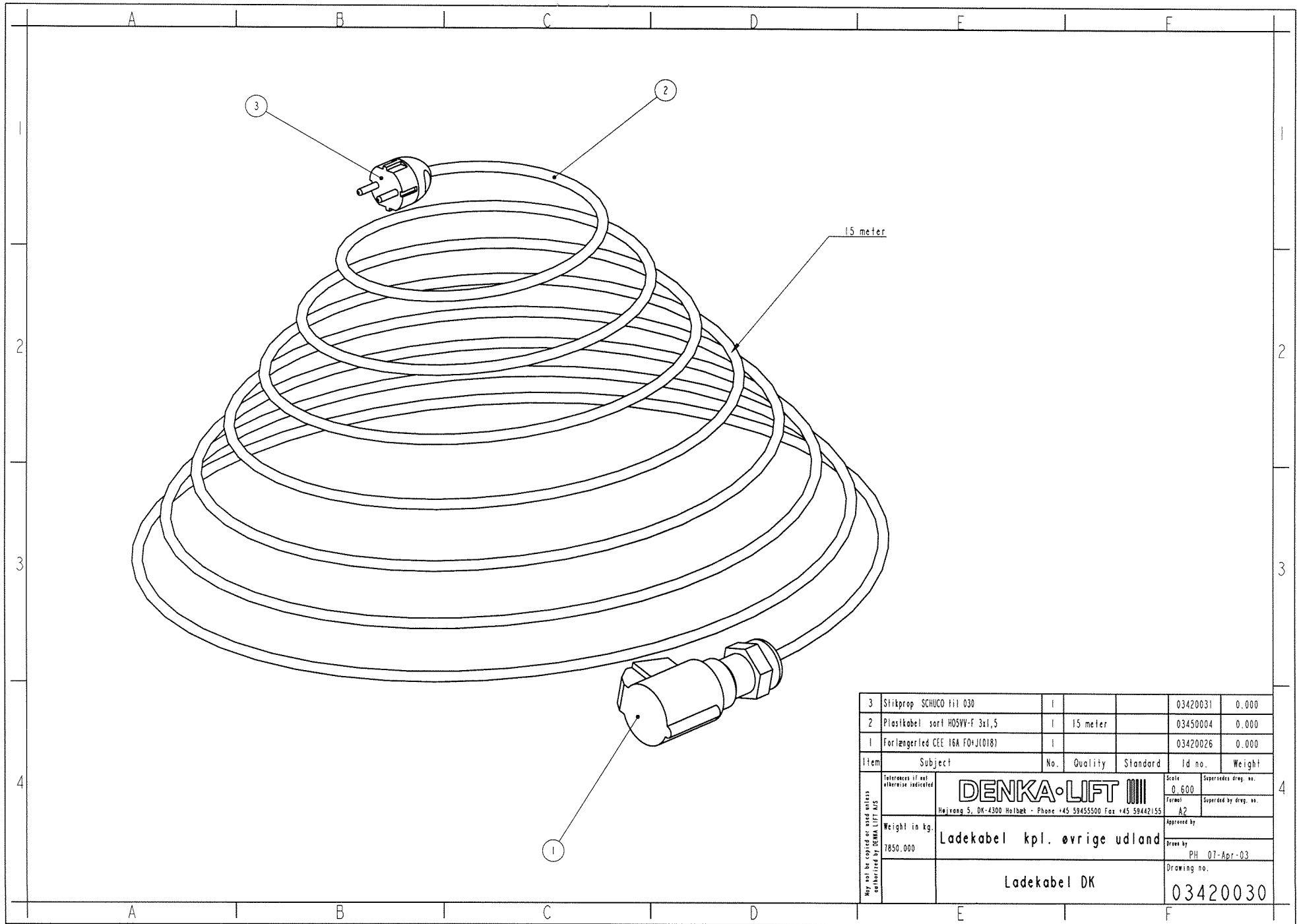
Tolerances if not otherwise indicated Weight in kg. Sheet Total sheets	DENKA-LIFT		Format	Supersedes drawing no.
	Højvang S, DK-4300 Holbæk - Phone +45 59455500 Fax +45 59442155		0_250	
	JR12/JR15/DL15		A2	Supersedes by drawing no.
	Samling af ophæng + transf. kasse		Approved by	
	Mount. of rack + transformer box		Drawn by	PBM 04-Apr-02
Samml. v. Aufhängung + Transf. kas.			Drawing no.	12090601



3	Stikprop 16A FO+J III 029	1			03420028	0.000
2	Plastikabel sort HOSVY-F 3x1,5	1	15 meter		03450004	0.000
1	Forlængerled CEE 16A FO+J10181	1			03420026	0.000
Item	Subject	No.	Quantity	Standard	Id no.	Weight
My not be copied or used without authorized by DENKA LIFT A/S	Tolerances if not otherwise indicated	DENKA LIFT		Scale 0.600	Supersedes drawing no.	
	Weight in kg. 7850.000	Ladekabel kpl. DK		Format A2	Superseded by drawing no.	
		Chargingcabel model DK		Approved by PH 07-Apr-03	Drawing no. 03420029	



3	Gummikabel HO7RN-F 3x1,5	1			03450006	0.000
2	Gemistiek prop Schuko	1			03420116	0.000
1	Forlængerled CEE 16A FO(J1018)	1			03420026	0.000
Item	Subject	No.	Quality	Standard	Id no.	Weight
May not be copied or used without authorized by DENKA LIFT A/S	Tolerances if not otherwise indicated	DENKA LIFT			Scale 0.600	Supersedes desig. no.
	Weight in kg.	Højvang 5, DK-4300 Holbæk - Phone +45 59455500 Fax +45 59442155			Format A2	Supersedes by desig. no.
	7850.000	Approved by Ladekabel kpl. Tyskland			Drawn by PH 07-Apr-03	
		Charging cabel Germany			Drawing no. 03420091	



3	Stikprop SCHUCO til 030	1			03420031	0.000
2	Plastkabel sort HOSVY-F 3x1,5	1	15 meter		03450004	0.000
1	Forlængerled CEE 16A FO+J(018)	1			03420026	0.000
Item	Subject	No.	Quality	Standard	Id no.	Weight
<small>May not be copied or used without authorization by DENKA LIFT A/S</small>	<small>Tolerances if not otherwise indicated</small>	DENKA LIFT			<small>Scale</small> 0.600	<small>Supersedes drawing no.</small>
	<small>Weight in kg.</small> 7850.000	<small>Højvang 5, DK-4300 Holbæk - Phone +45 59455500 Fax +45 59442155</small>			<small>Format</small> A2	<small>Superseded by drawing no.</small>
	Ladekabel kpl. øvrige udland	<small>Approved by</small> 		<small>Drawing no.</small> 03420030		
	Ladekabel DK	<small>Drawn by</small> PH 07-Apr-03				